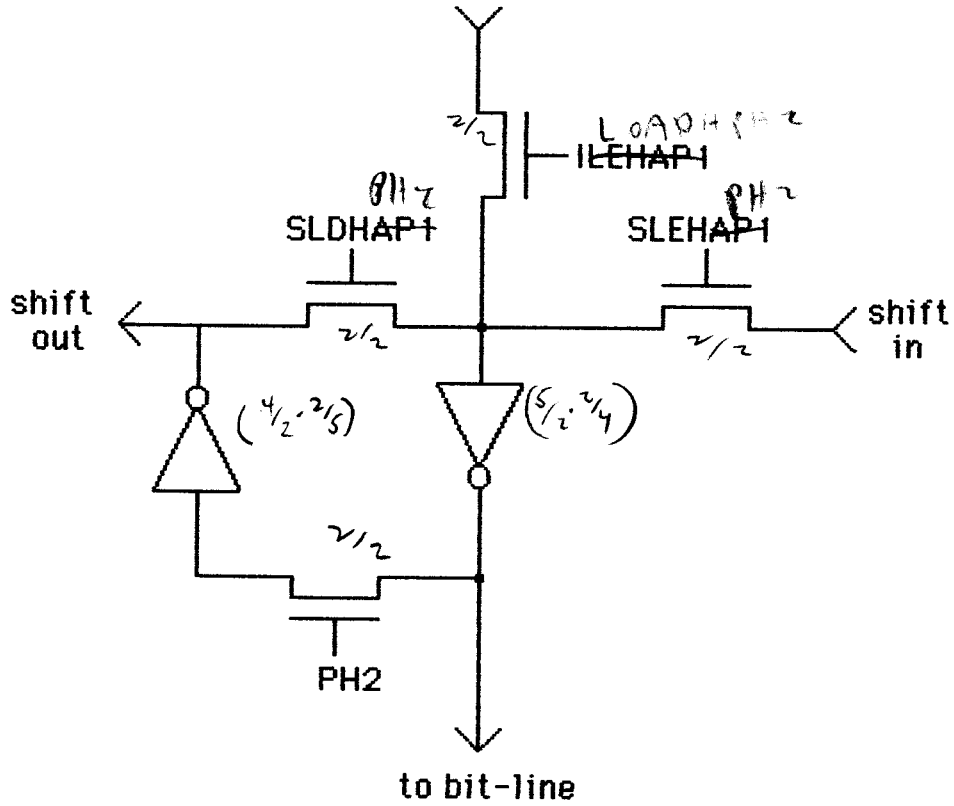


**Logic to Generate SRBHSP1**  
 ("coefficients shifters busy")

408 ? **L511**  
 or HI

EA<0:47>HSP1  
 EB<0:47>HSP1  
 EC<0:47>HSP1  
 EI<0:47>HSP1



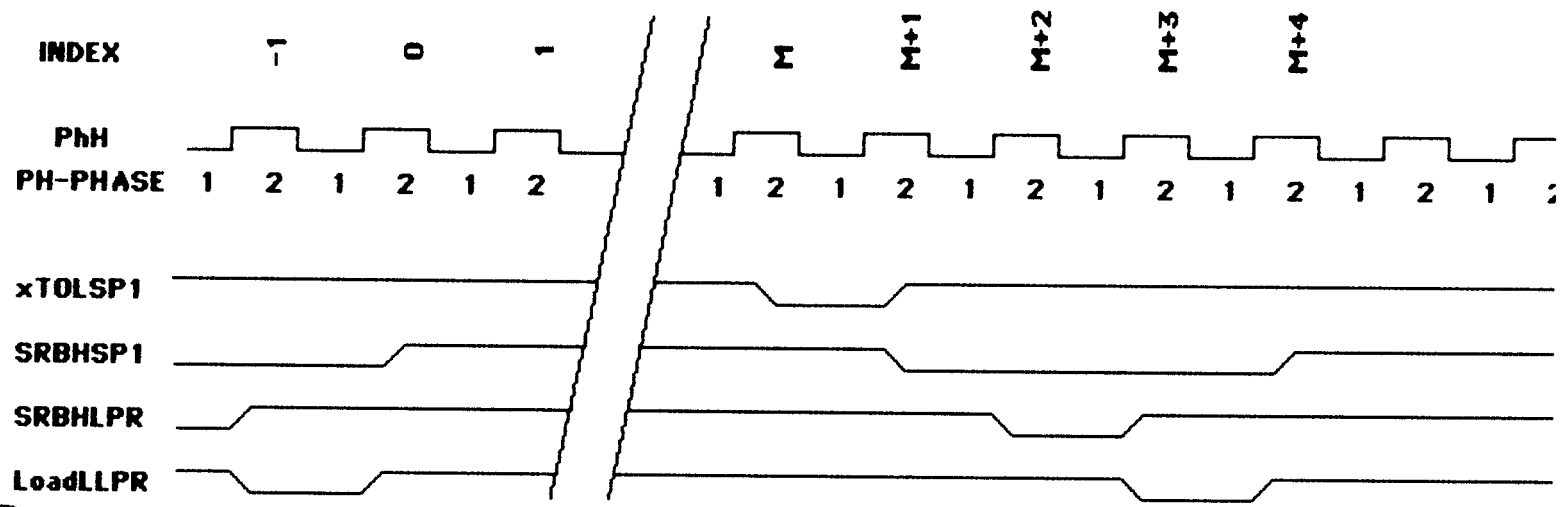
### Bit-Slice of Token Shifter

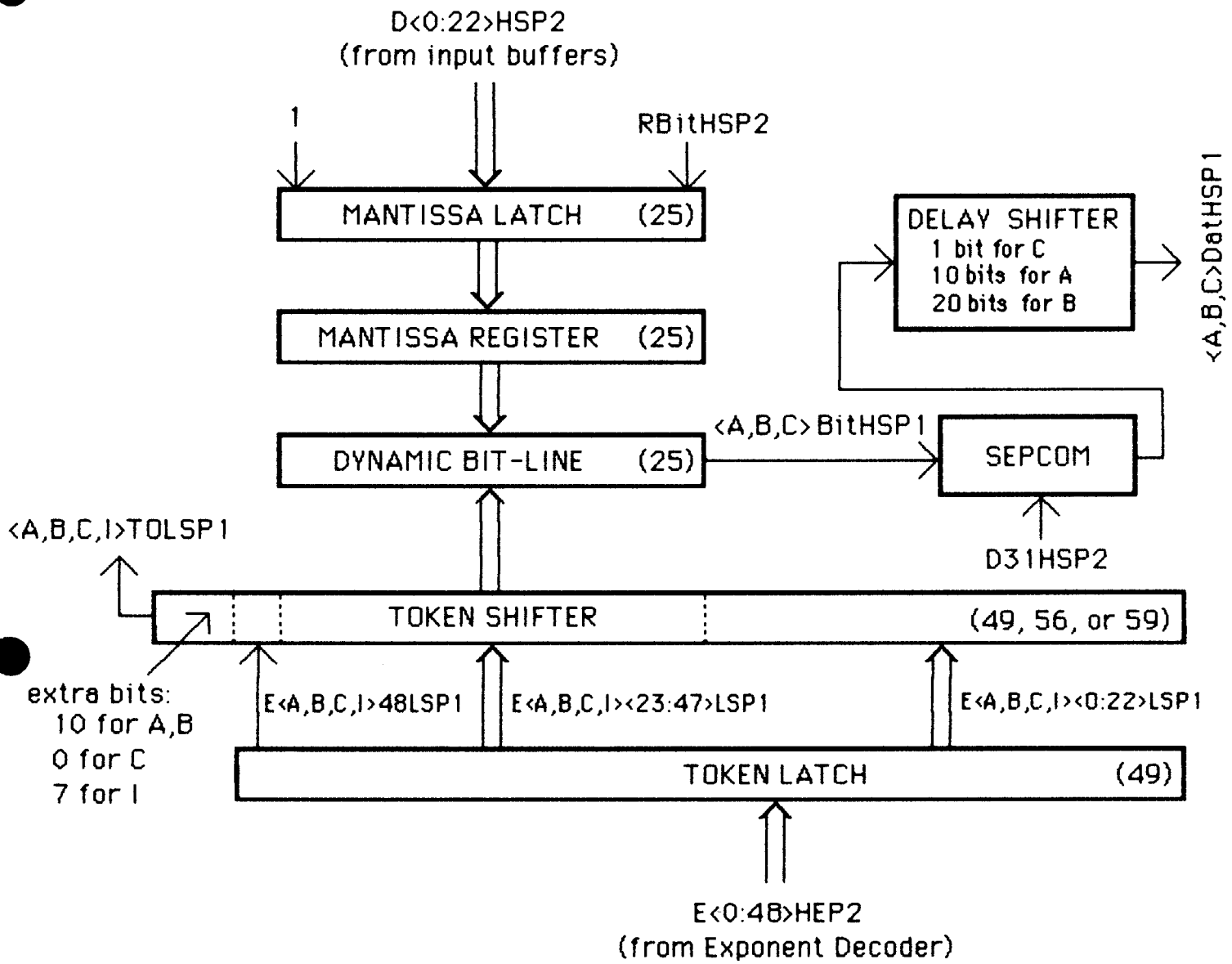
(-ishby  
 +ishend)

LSB appears on BitHSP1  
↓

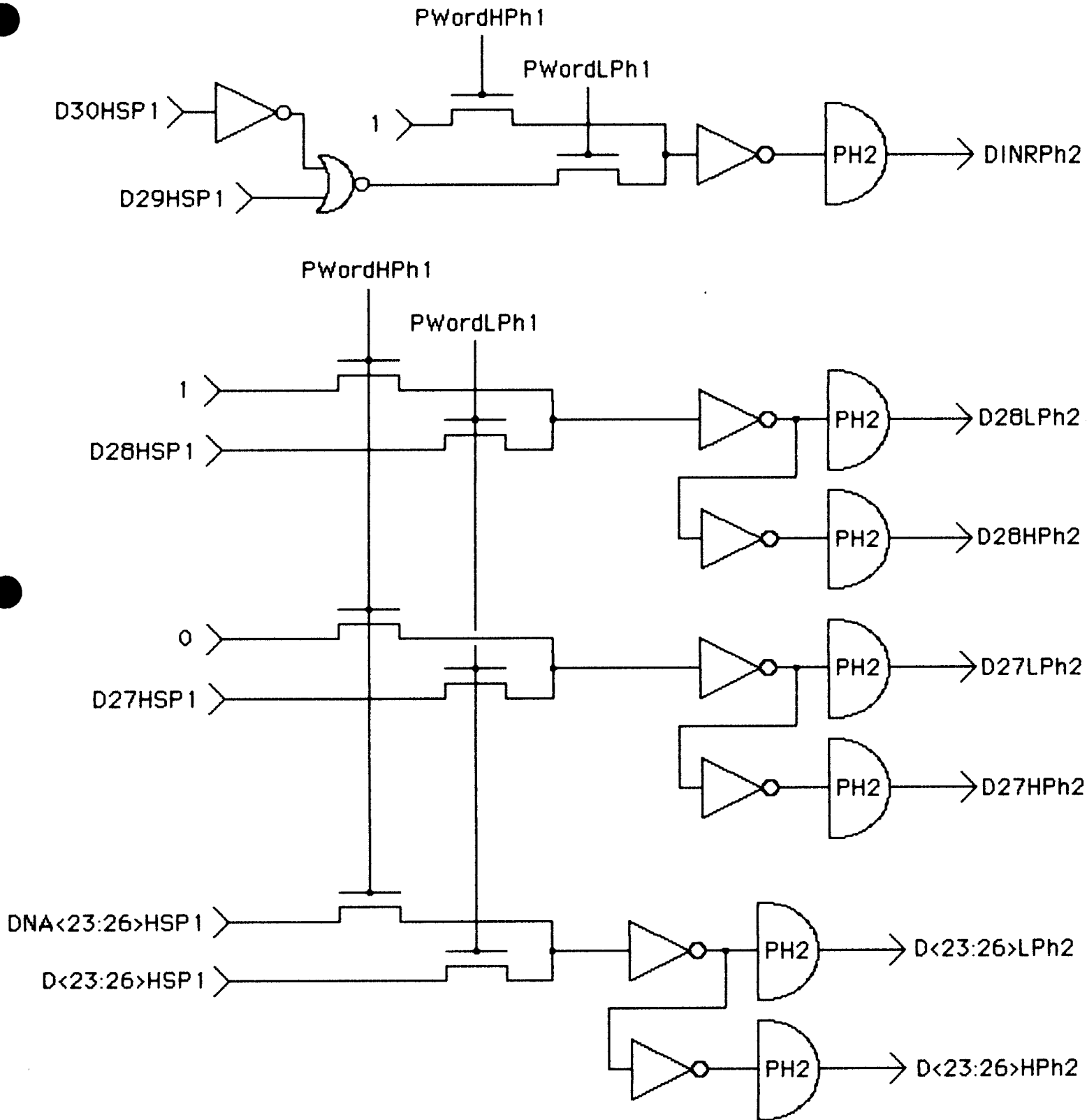
$$M = \text{Max}(\text{LenA}+10, \text{LenB}+10, \text{LenC})$$

LSB appears on BitHSP1  
↓

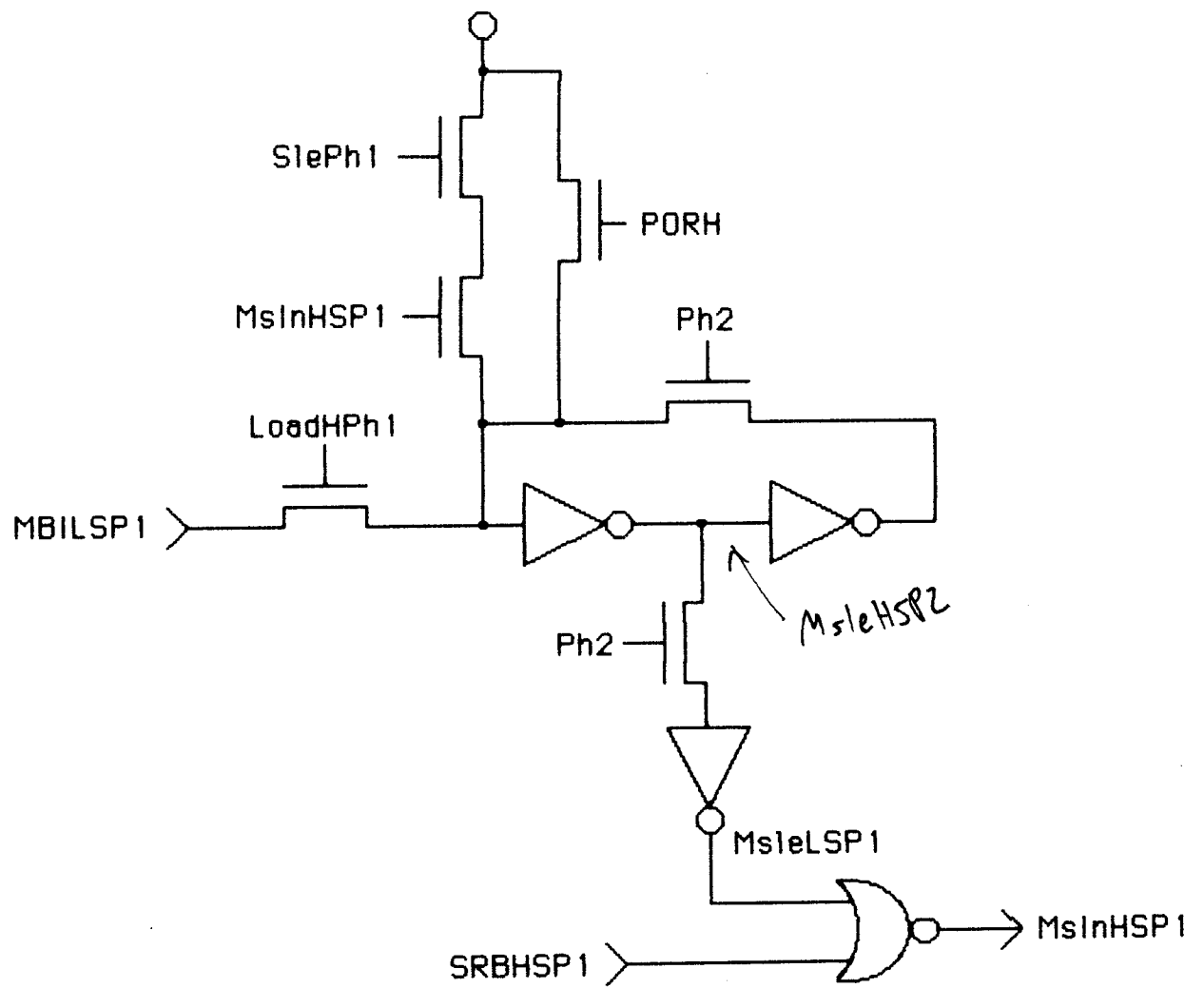




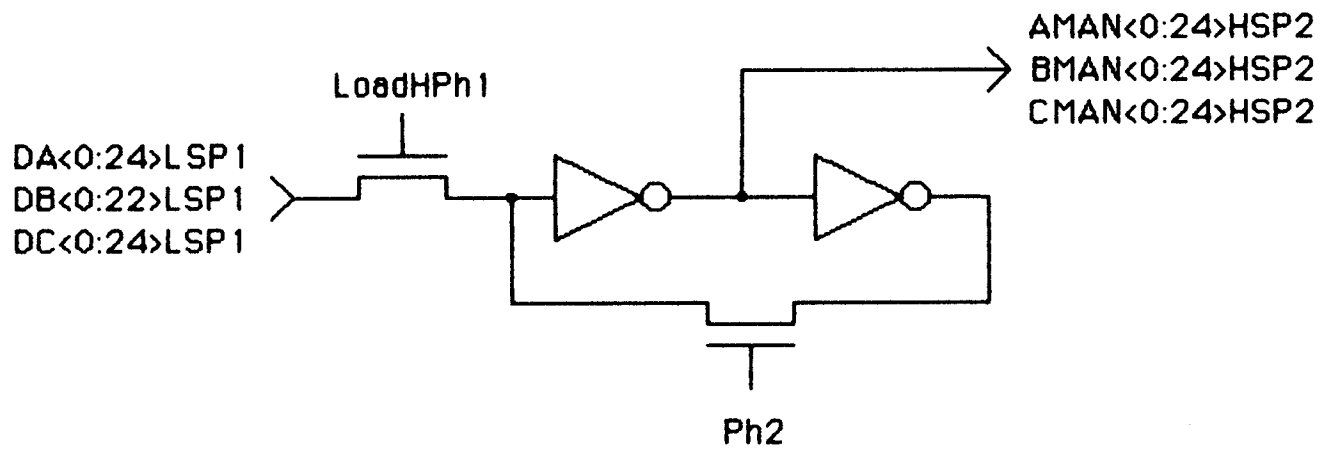
**Coefficient Serialization Sub-Module**



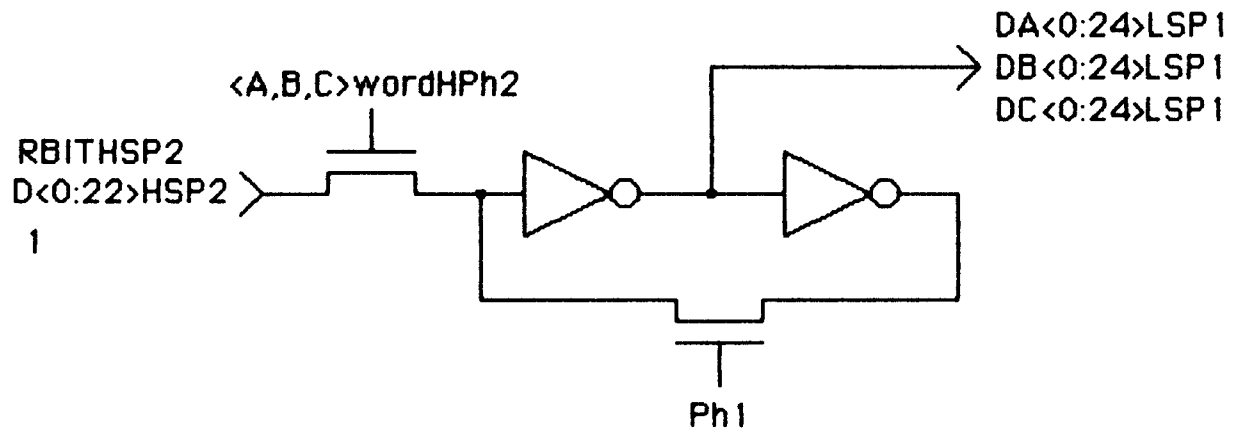
Qualified Clocks for Exponent Decoder



Input Logic for MBR Shifter

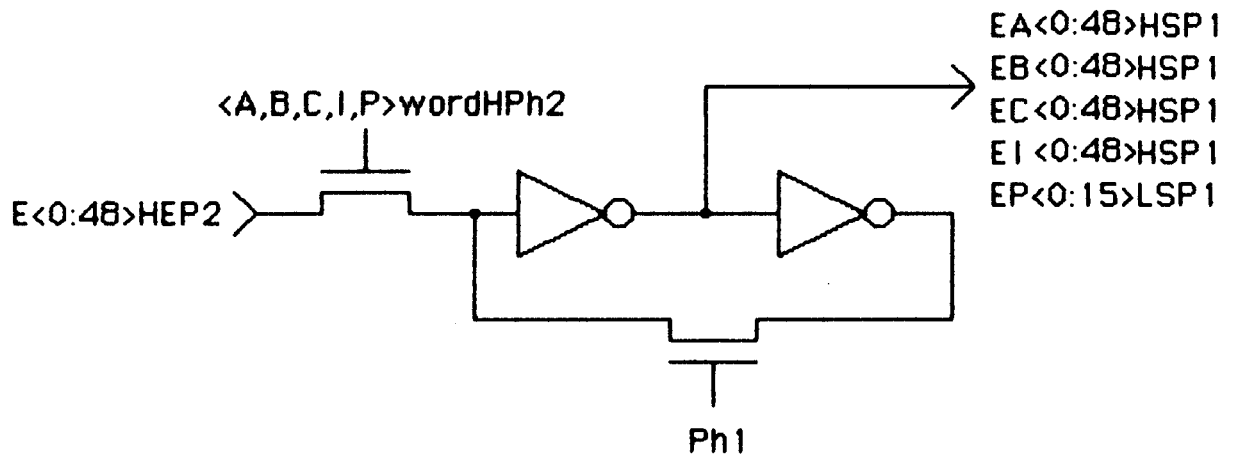


**Bit-Slice of Mantissa Register**

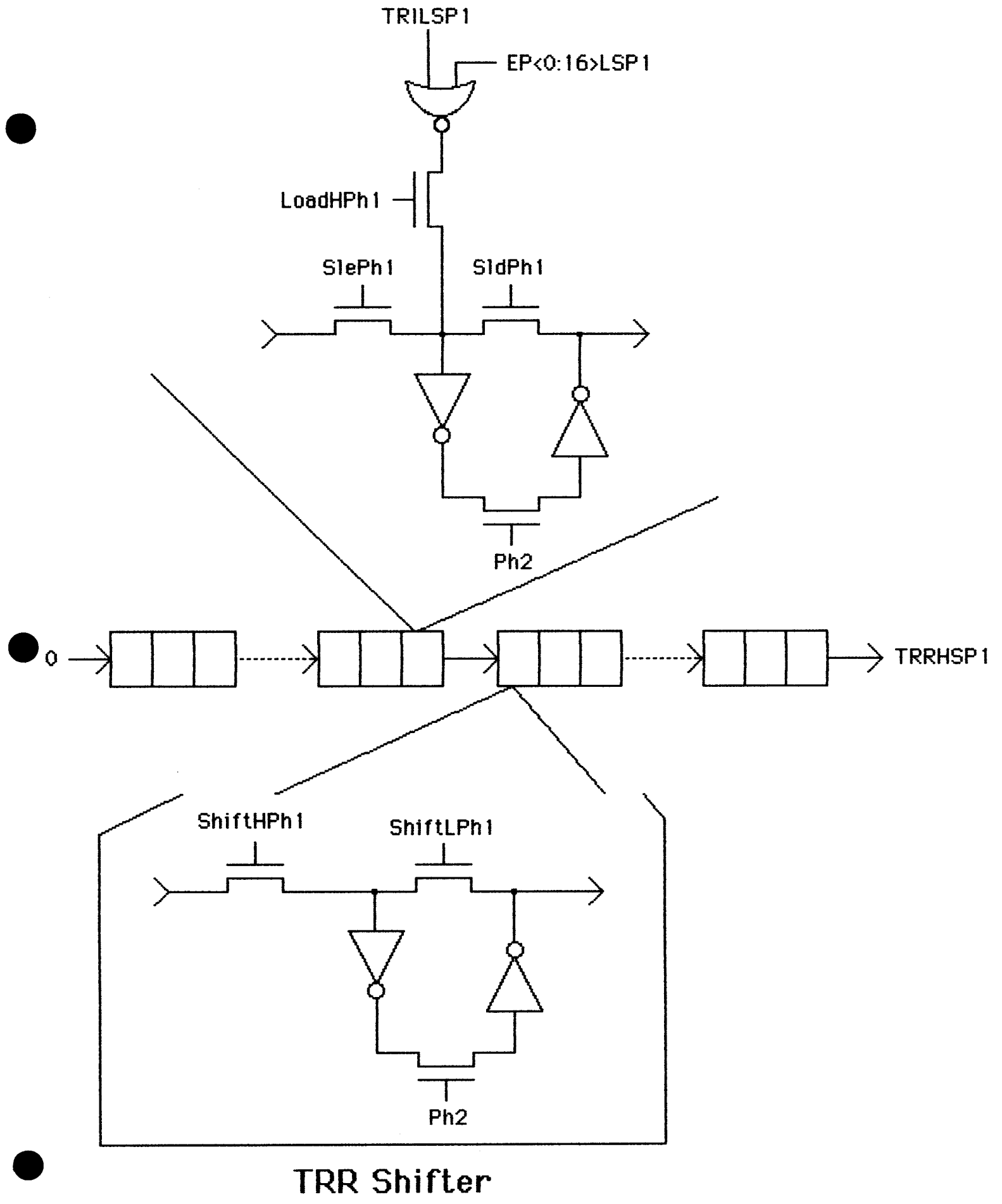


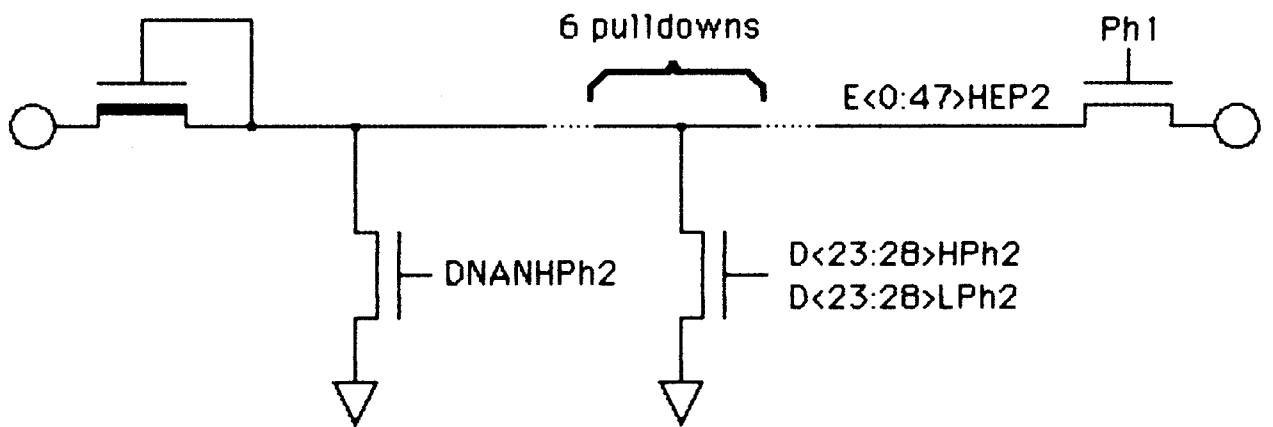
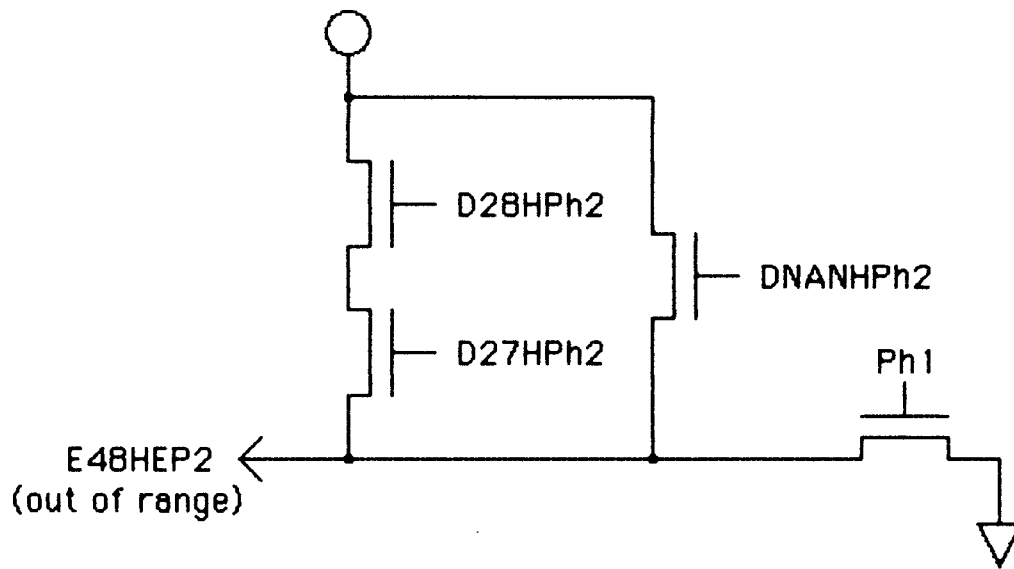
Bit-Slice of Mantissa Latch



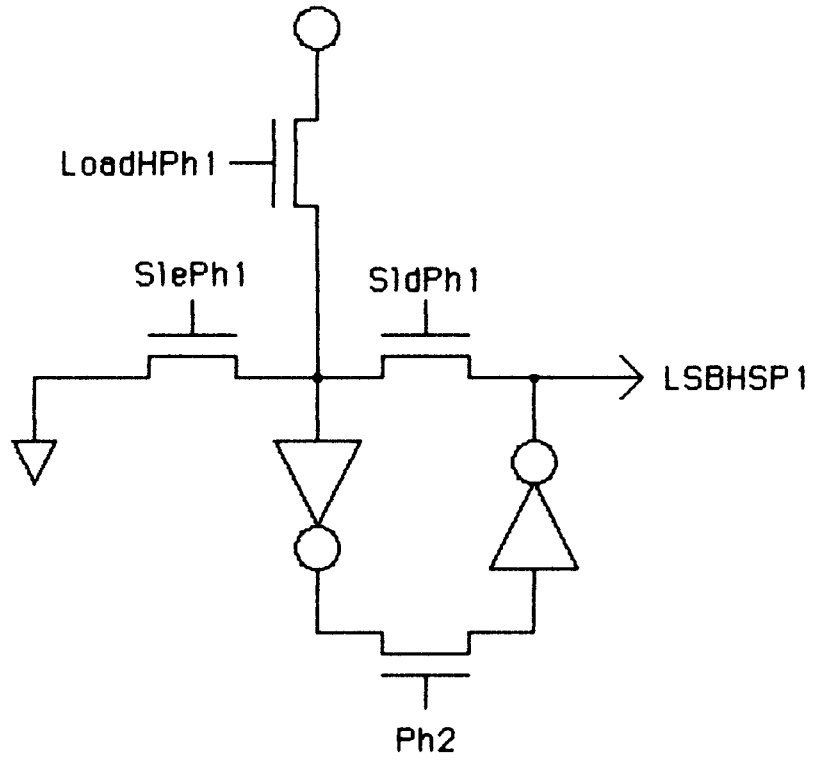


Bit-Slice of Token Latch

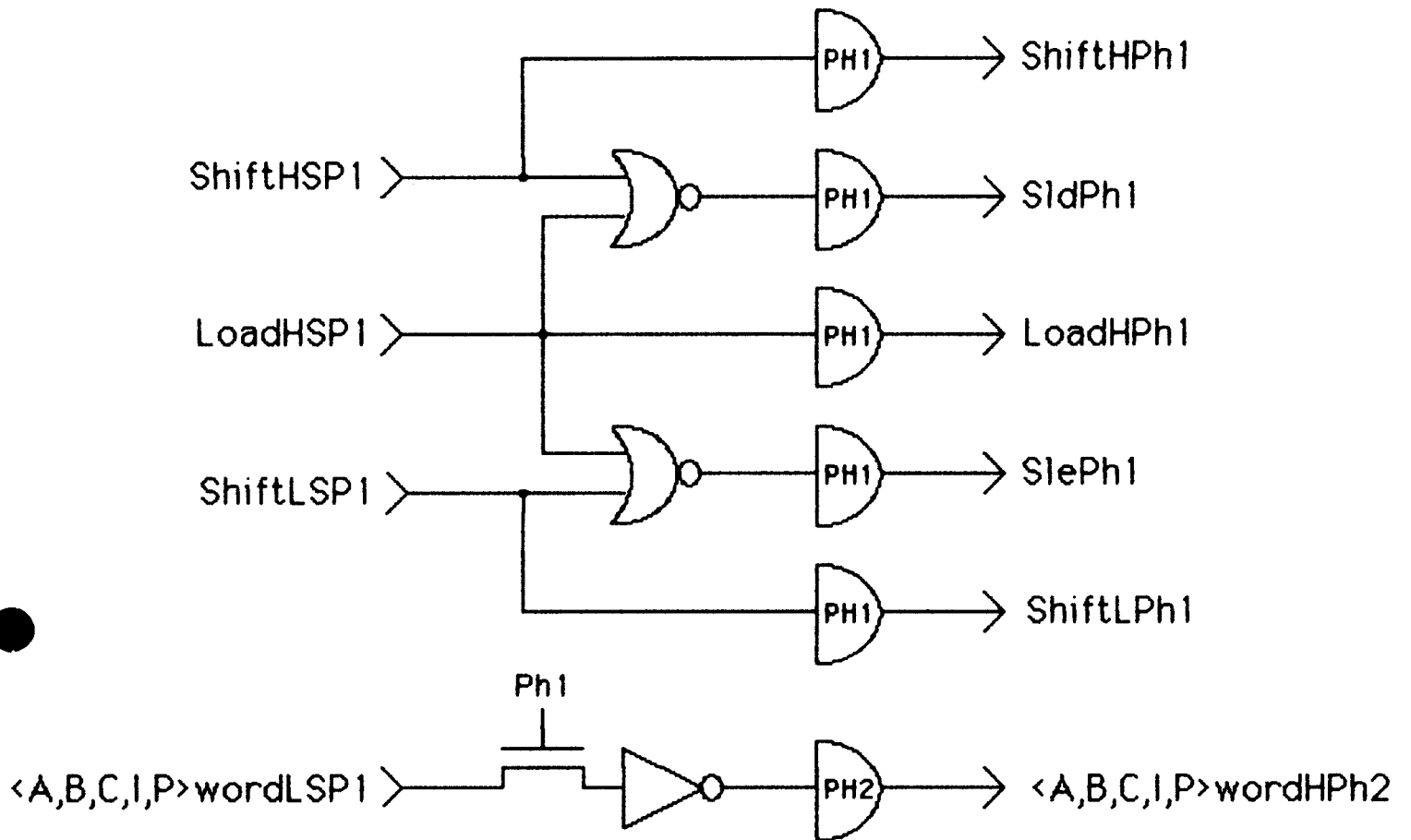




**Bit-Slice of Exponent Decoder Output Stage**



**LSB Signal Generator**



## Qualified Hot Clocks