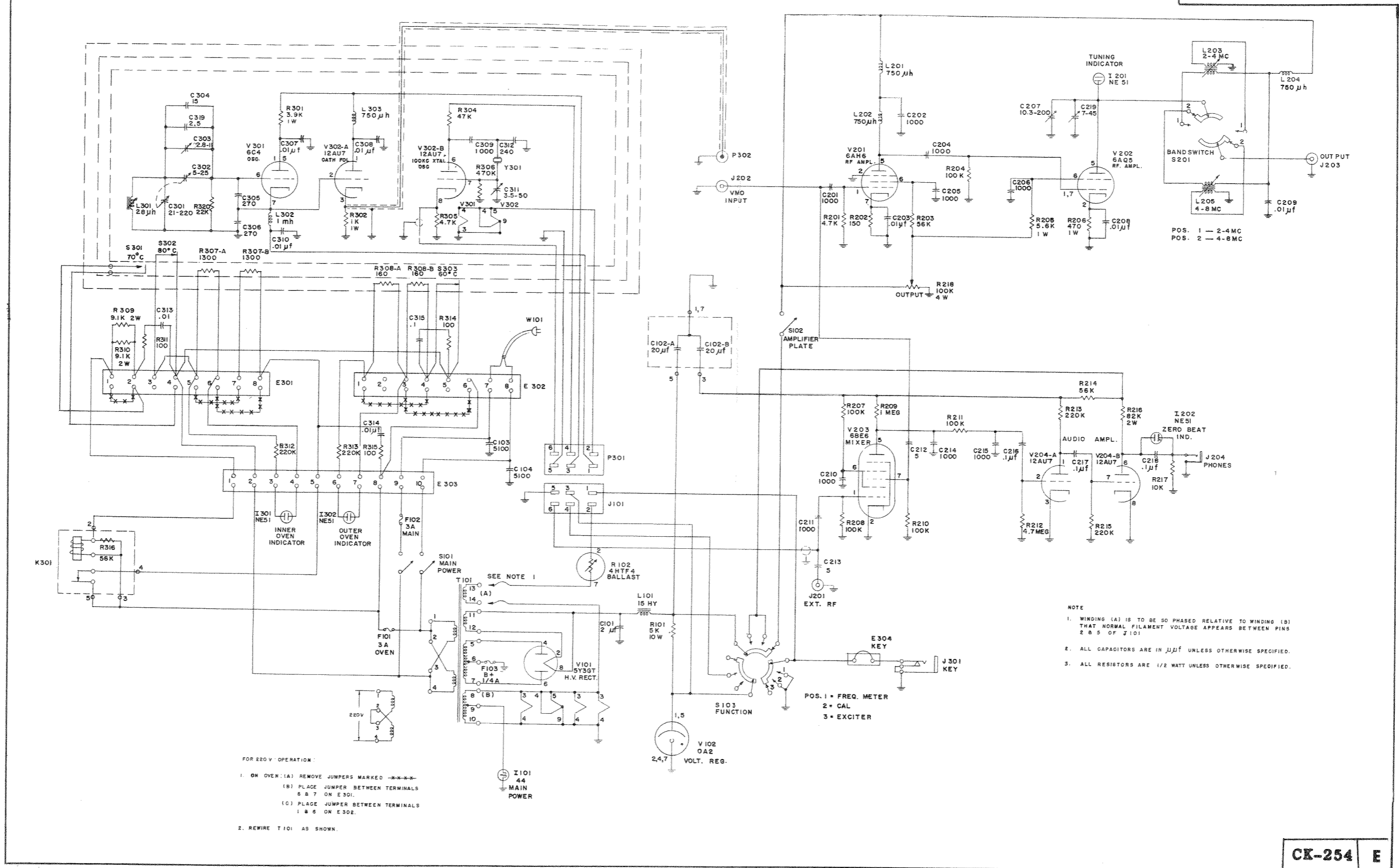
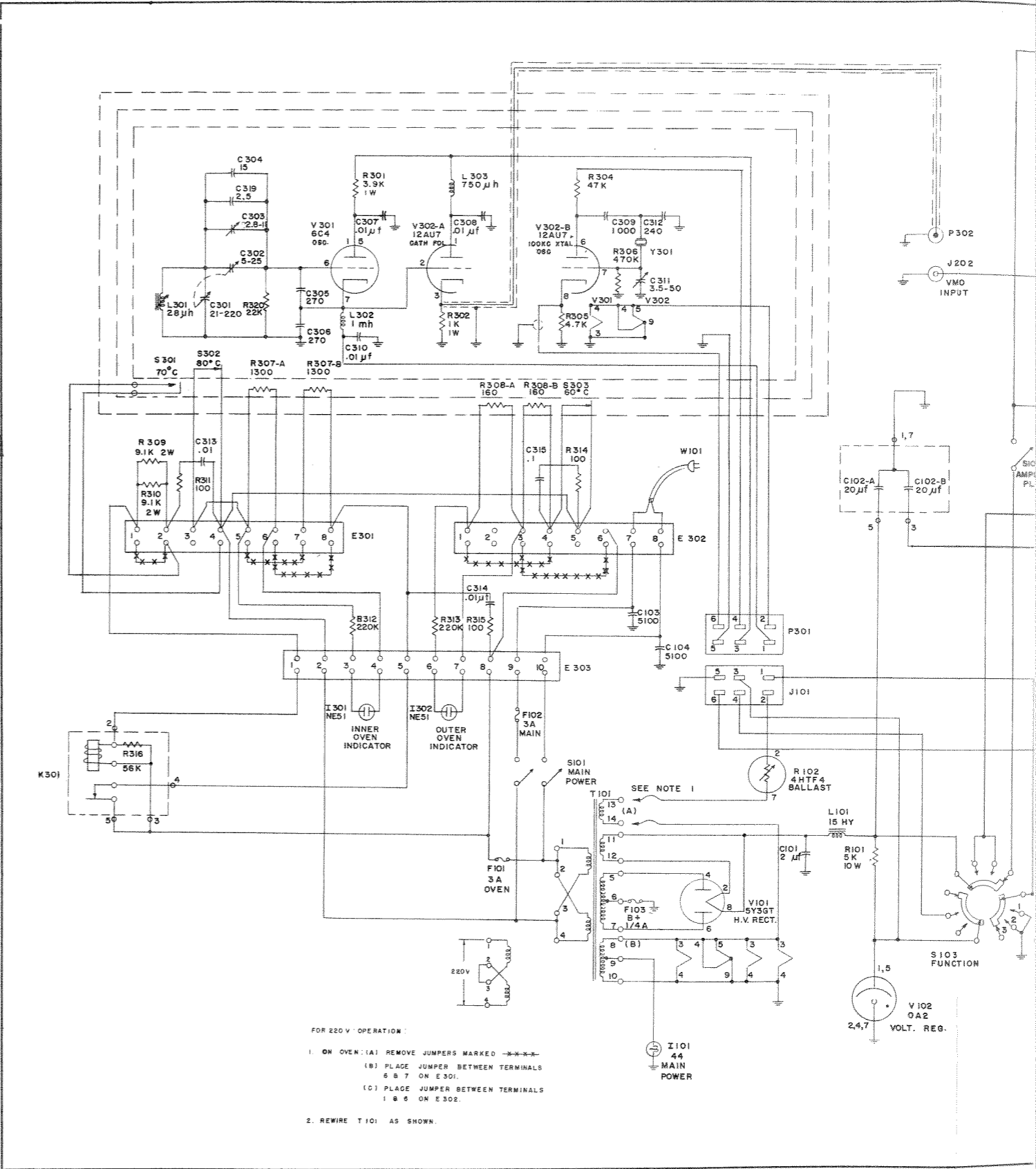


3. ELECTRICAL SCHEMATIC



CK-254 E

Schematic Diagram, Model PMO



FOR 220 V OPERATION:

- ON OVEN: (A) REMOVE JUMPERS MARKED -----  
 (B) PLACE JUMPER BETWEEN TERMINALS 6 & 7 ON E301.  
 (C) PLACE JUMPER BETWEEN TERMINALS 1 & 6 ON E302.
- REWIRE T101 AS SHOWN.