

NOTE: CLK00's, PM's, Pn0's, and Pn's are optically equivalent

- CLK00B 3 NP51B
- CLK00H 4 NP51C
- CLK00S 5 NP51D
- CLK00E 2 NP51A
- CLK00F 7 NP51F
- NP51M0
- CLK20B 2 NP52A
- CLK20H 6 NP52E
- CLK20M 4 NP52C
- CLK20S 7 NP52F
- NP52M0
- CLK40B 2 NP53A
- CLK40H 7 NP53F
- CLK40M 3 NP53C
- CLK40S 4 NP53E
- NP53M0
- CLK60B 2 NP54A
- CLK60H 3 NP54C
- CLK60M 7 NP54E
- CLK60S 4 NP54F
- NP54M0
- CLK80B 2 NP55A
- CLK80H 7 NP55F
- CLK80M 3 NP55C
- CLK80S 4 NP55E
- NP55M0

- CLK20B 2 NP57A
- CLK20H 7 NP57F
- CLK20M 4 NP57C
- CLK20S 3 NP57E
- NP57M0
- CLK40B 2 NP58A
- CLK40H 7 NP58F
- CLK40M 3 NP58C
- CLK40S 4 NP58E
- NP58M0
- CLK60B 2 NP59A
- CLK60H 7 NP59F
- CLK60M 3 NP59C
- CLK60S 4 NP59E
- NP59M0
- CLK80B 2 NP60A
- CLK80H 7 NP60F
- CLK80M 3 NP60C
- CLK80S 4 NP60E
- NP60M0

- CLK20B 2 NP65E
- CLK20H 6 NP65C
- CLK20M 4 NP65F
- CLK20S 3 NP65E
- NP65M0
- CLK40B 2 NP66A
- CLK40H 7 NP66F
- CLK40M 3 NP66C
- CLK40S 4 NP66E
- NP66M0
- CLK60B 2 NP67A
- CLK60H 7 NP67F
- CLK60M 3 NP67C
- CLK60S 4 NP67E
- NP67M0
- CLK80B 2 NP68A
- CLK80H 7 NP68F
- CLK80M 3 NP68C
- CLK80S 4 NP68E
- NP68M0

- CLK20B 2 NP70A
- CLK20H 7 NP70F
- CLK20M 4 NP70C
- CLK20S 3 NP70E
- NP70M0
- CLK40B 2 NP71A
- CLK40H 7 NP71F
- CLK40M 3 NP71C
- CLK40S 4 NP71E
- NP71M0
- CLK60B 2 NP72A
- CLK60H 7 NP72F
- CLK60M 3 NP72C
- CLK60S 4 NP72E
- NP72M0
- CLK80B 2 NP73A
- CLK80H 7 NP73F
- CLK80M 3 NP73C
- CLK80S 4 NP73E
- NP73M0

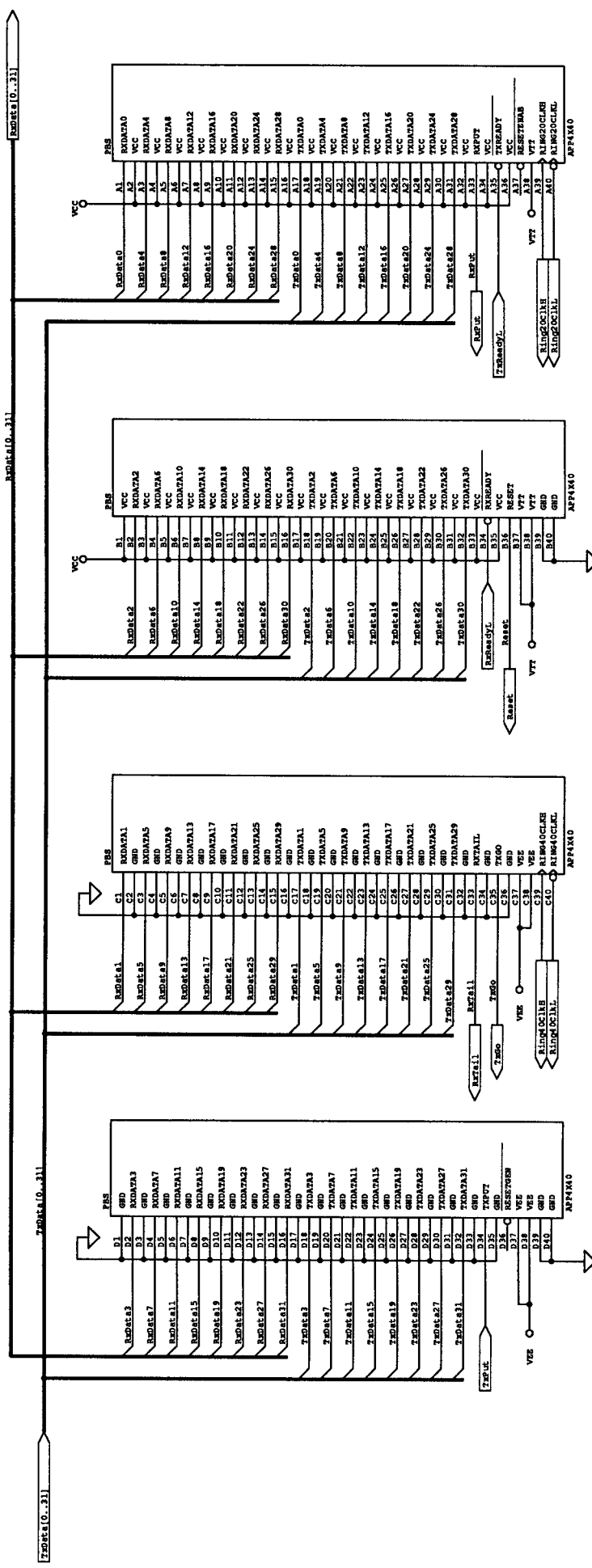
- CLK20B 2 NP74A
- CLK20H 7 NP74F
- CLK20M 4 NP74C
- CLK20S 3 NP74E
- NP74M0
- CLK40B 2 NP75A
- CLK40H 7 NP75F
- CLK40M 3 NP75C
- CLK40S 4 NP75E
- NP75M0
- CLK60B 2 NP76A
- CLK60H 7 NP76F
- CLK60M 3 NP76C
- CLK60S 4 NP76E
- NP76M0
- CLK80B 2 NP77A
- CLK80H 7 NP77F
- CLK80M 3 NP77C
- CLK80S 4 NP77E
- NP77M0

- CLK20B 2 NP78A
- CLK20H 7 NP78F
- CLK20M 4 NP78C
- CLK20S 3 NP78E
- NP78M0
- CLK40B 2 NP79A
- CLK40H 7 NP79F
- CLK40M 3 NP79C
- CLK40S 4 NP79E
- NP79M0
- CLK60B 2 NP80A
- CLK60H 7 NP80F
- CLK60M 3 NP80C
- CLK60S 4 NP80E
- NP80M0
- CLK80B 2 NP81A
- CLK80H 7 NP81F
- CLK80M 3 NP81C
- CLK80S 4 NP81E
- NP81M0

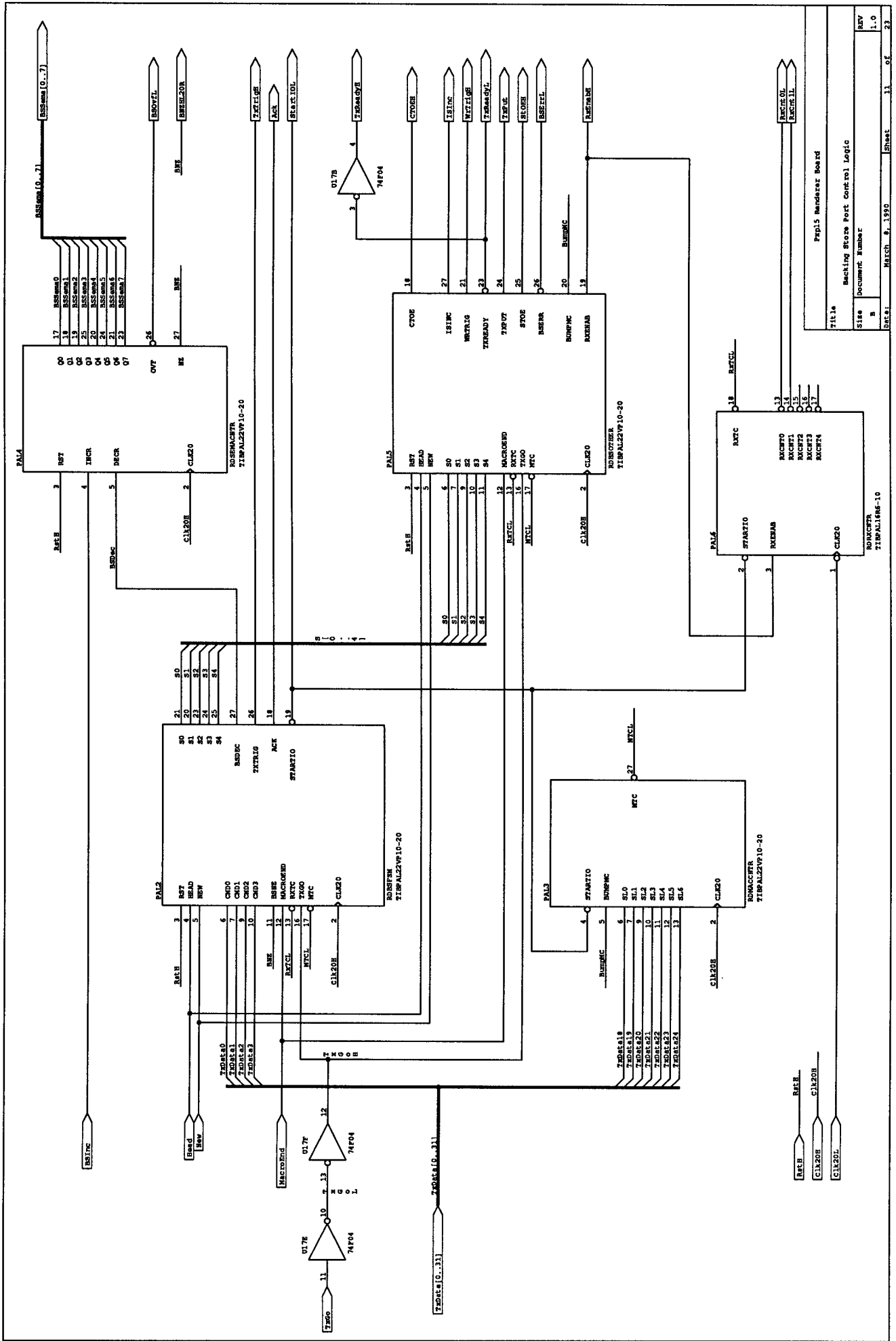
- CLK20B 2 NP82A
- CLK20H 7 NP82F
- CLK20M 4 NP82C
- CLK20S 3 NP82E
- NP82M0
- CLK40B 2 NP83A
- CLK40H 7 NP83F
- CLK40M 3 NP83C
- CLK40S 4 NP83E
- NP83M0
- CLK60B 2 NP84A
- CLK60H 7 NP84F
- CLK60M 3 NP84C
- CLK60S 4 NP84E
- NP84M0
- CLK80B 2 NP85A
- CLK80H 7 NP85F
- CLK80M 3 NP85C
- CLK80S 4 NP85E
- NP85M0

- CLK20B 2 NP86A
- CLK20H 7 NP86F
- CLK20M 4 NP86C
- CLK20S 3 NP86E
- NP86M0
- CLK40B 2 NP87A
- CLK40H 7 NP87F
- CLK40M 3 NP87C
- CLK40S 4 NP87E
- NP87M0
- CLK60B 2 NP88A
- CLK60H 7 NP88F
- CLK60M 3 NP88C
- CLK60S 4 NP88E
- NP88M0
- CLK80B 2 NP89A
- CLK80H 7 NP89F
- CLK80M 3 NP89C
- CLK80S 4 NP89E
- NP89M0

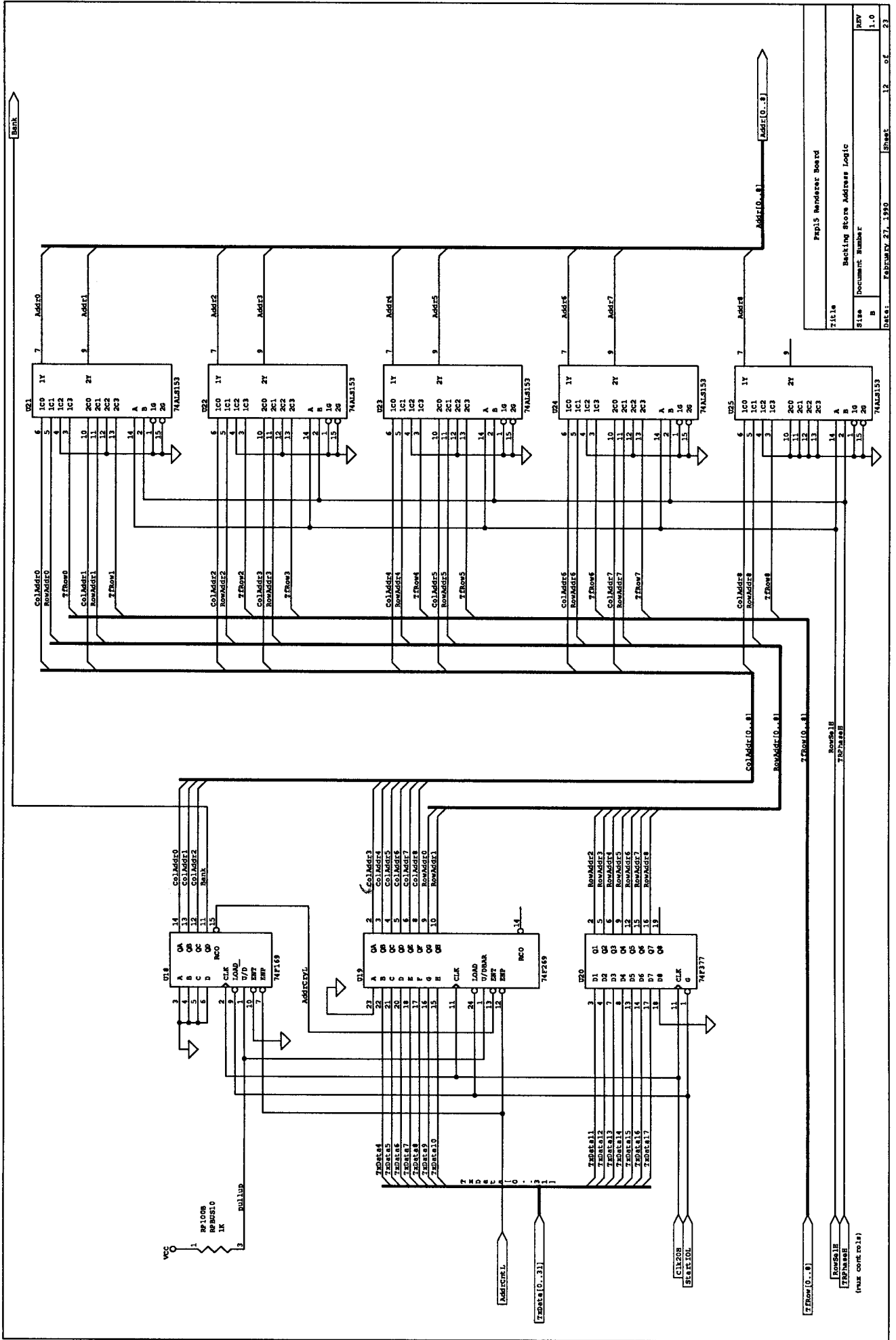
- CLK20B 2 NP90A
- CLK20H 7 NP90F
- CLK20M 4 NP90C
- CLK20S 3 NP90E
- NP90M0
- CLK40B 2 NP91A
- CLK40H 7 NP91F
- CLK40M 3 NP91C
- CLK40S 4 NP91E
- NP91M0
- CLK60B 2 NP92A
- CLK60H 7 NP92F
- CLK60M 3 NP92C
- CLK60S 4 NP92E
- NP92M0
- CLK80B 2 NP93A
- CLK80H 7 NP93F
- CLK80M 3 NP93C
- CLK80S 4 NP93E
- NP93M0

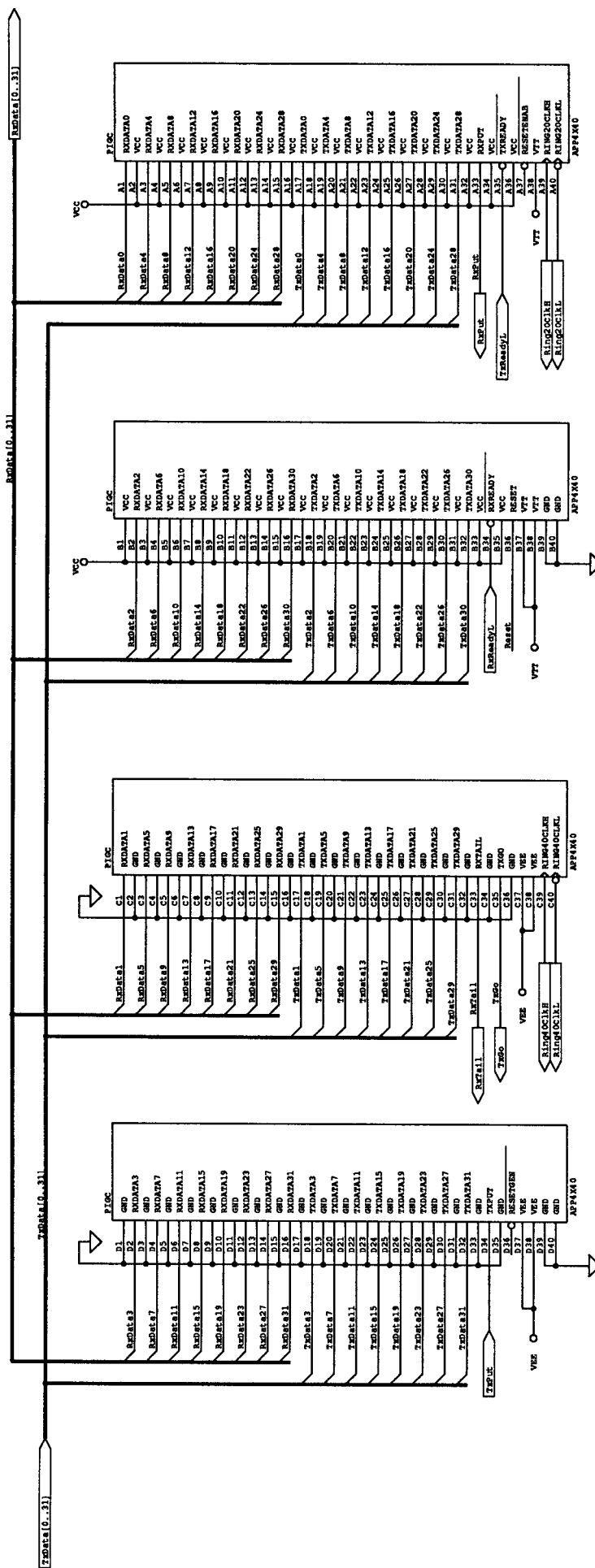


REF11	2	10K	REF11	2	10K
REF12	3	100K	REF12	3	100K
REF13	4	100K	REF13	4	100K
REF14	5	100K	REF14	5	100K
REF15	6	100K	REF15	6	100K
REF16	7	100K	REF16	7	100K
REF17	8	100K	REF17	8	100K
REF18	9	100K	REF18	9	100K
REF19	10	100K	REF19	10	100K
REF20	11	100K	REF20	11	100K
REF21	12	100K	REF21	12	100K
REF22	13	100K	REF22	13	100K
REF23	14	100K	REF23	14	100K
REF24	15	100K	REF24	15	100K
REF25	16	100K	REF25	16	100K
REF26	17	100K	REF26	17	100K
REF27	18	100K	REF27	18	100K
REF28	19	100K	REF28	19	100K
REF29	20	100K	REF29	20	100K
REF30	21	100K	REF30	21	100K
REF31	22	100K	REF31	22	100K
REF32	23	100K	REF32	23	100K
REF33	24	100K	REF33	24	100K
REF34	25	100K	REF34	25	100K
REF35	26	100K	REF35	26	100K
REF36	27	100K	REF36	27	100K
REF37	28	100K	REF37	28	100K
REF38	29	100K	REF38	29	100K
REF39	30	100K	REF39	30	100K
REF40	31	100K	REF40	31	100K
REF41	32	100K	REF41	32	100K
REF42	33	100K	REF42	33	100K
REF43	34	100K	REF43	34	100K
REF44	35	100K	REF44	35	100K
REF45	36	100K	REF45	36	100K
REF46	37	100K	REF46	37	100K
REF47	38	100K	REF47	38	100K
REF48	39	100K	REF48	39	100K
REF49	40	100K	REF49	40	100K
REF50	41	100K	REF50	41	100K
REF51	42	100K	REF51	42	100K
REF52	43	100K	REF52	43	100K
REF53	44	100K	REF53	44	100K
REF54	45	100K	REF54	45	100K
REF55	46	100K	REF55	46	100K
REF56	47	100K	REF56	47	100K
REF57	48	100K	REF57	48	100K
REF58	49	100K	REF58	49	100K
REF59	50	100K	REF59	50	100K
REF60	51	100K	REF60	51	100K
REF61	52	100K	REF61	52	100K
REF62	53	100K	REF62	53	100K
REF63	54	100K	REF63	54	100K
REF64	55	100K	REF64	55	100K
REF65	56	100K	REF65	56	100K
REF66	57	100K	REF66	57	100K
REF67	58	100K	REF67	58	100K
REF68	59	100K	REF68	59	100K
REF69	60	100K	REF69	60	100K
REF70	61	100K	REF70	61	100K
REF71	62	100K	REF71	62	100K
REF72	63	100K	REF72	63	100K
REF73	64	100K	REF73	64	100K
REF74	65	100K	REF74	65	100K
REF75	66	100K	REF75	66	100K
REF76	67	100K	REF76	67	100K
REF77	68	100K	REF77	68	100K
REF78	69	100K	REF78	69	100K
REF79	70	100K	REF79	70	100K
REF80	71	100K	REF80	71	100K
REF81	72	100K	REF81	72	100K
REF82	73	100K	REF82	73	100K
REF83	74	100K	REF83	74	100K
REF84	75	100K	REF84	75	100K
REF85	76	100K	REF85	76	100K
REF86	77	100K	REF86	77	100K
REF87	78	100K	REF87	78	100K
REF88	79	100K	REF88	79	100K
REF89	80	100K	REF89	80	100K
REF90	81	100K	REF90	81	100K
REF91	82	100K	REF91	82	100K
REF92	83	100K	REF92	83	100K
REF93	84	100K	REF93	84	100K
REF94	85	100K	REF94	85	100K
REF95	86	100K	REF95	86	100K
REF96	87	100K	REF96	87	100K
REF97	88	100K	REF97	88	100K
REF98	89	100K	REF98	89	100K
REF99	90	100K	REF99	90	100K
REF100	91	100K	REF100	91	100K

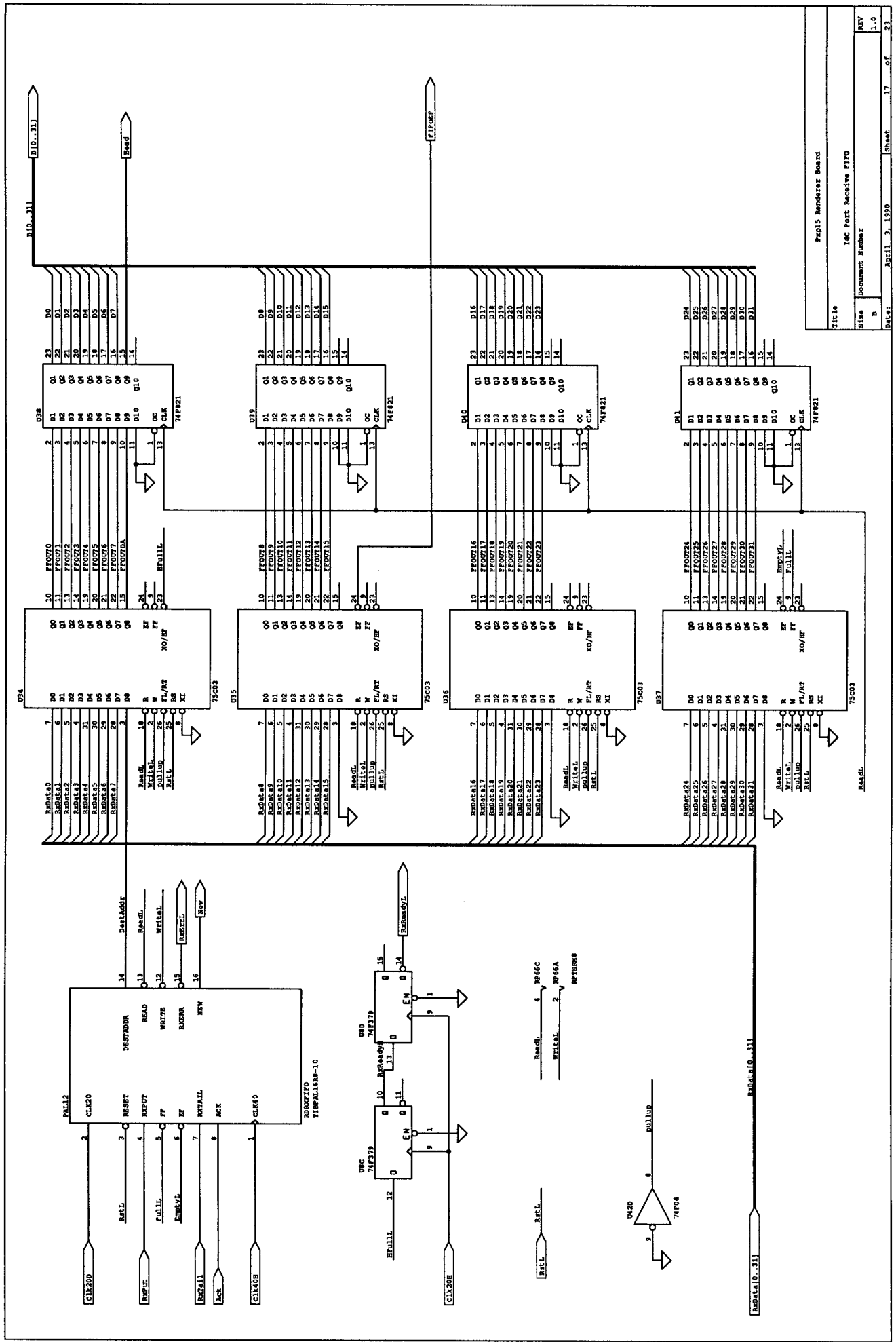


Title Backing Store Port Control Logic
 S144 Document Number
 B
 Part's Number Board
 REV 1.0
 DATE: March 8, 1990 Sheet 11 of 23





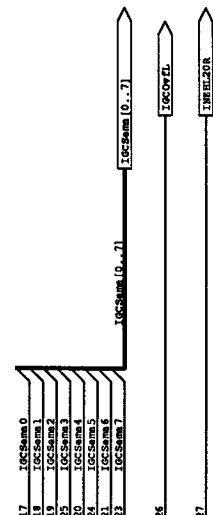
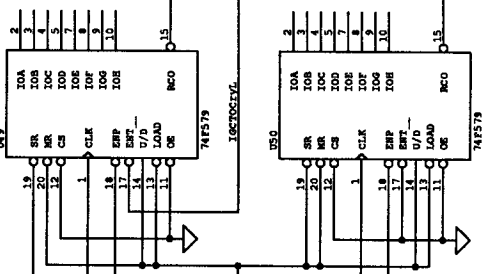
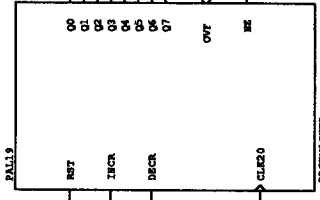
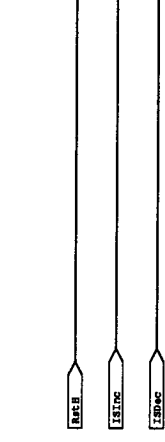
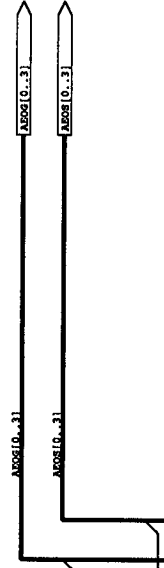
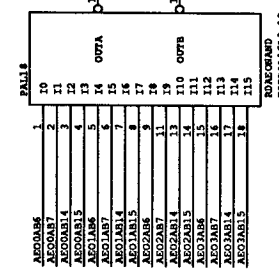
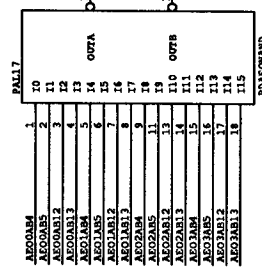
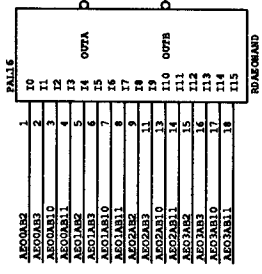
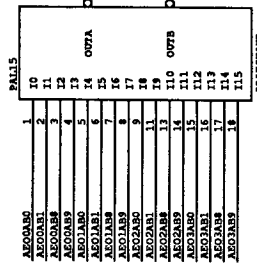
REF10	2	70	REF10A
REF10	3	71	REF10B
REF10	4	72	REF10C
REF10	5	73	REF10D
REF10	6	74	REF10E
REF10	7	75	REF10F
REF10	8	76	REF10G
REF10	9	77	REF10H

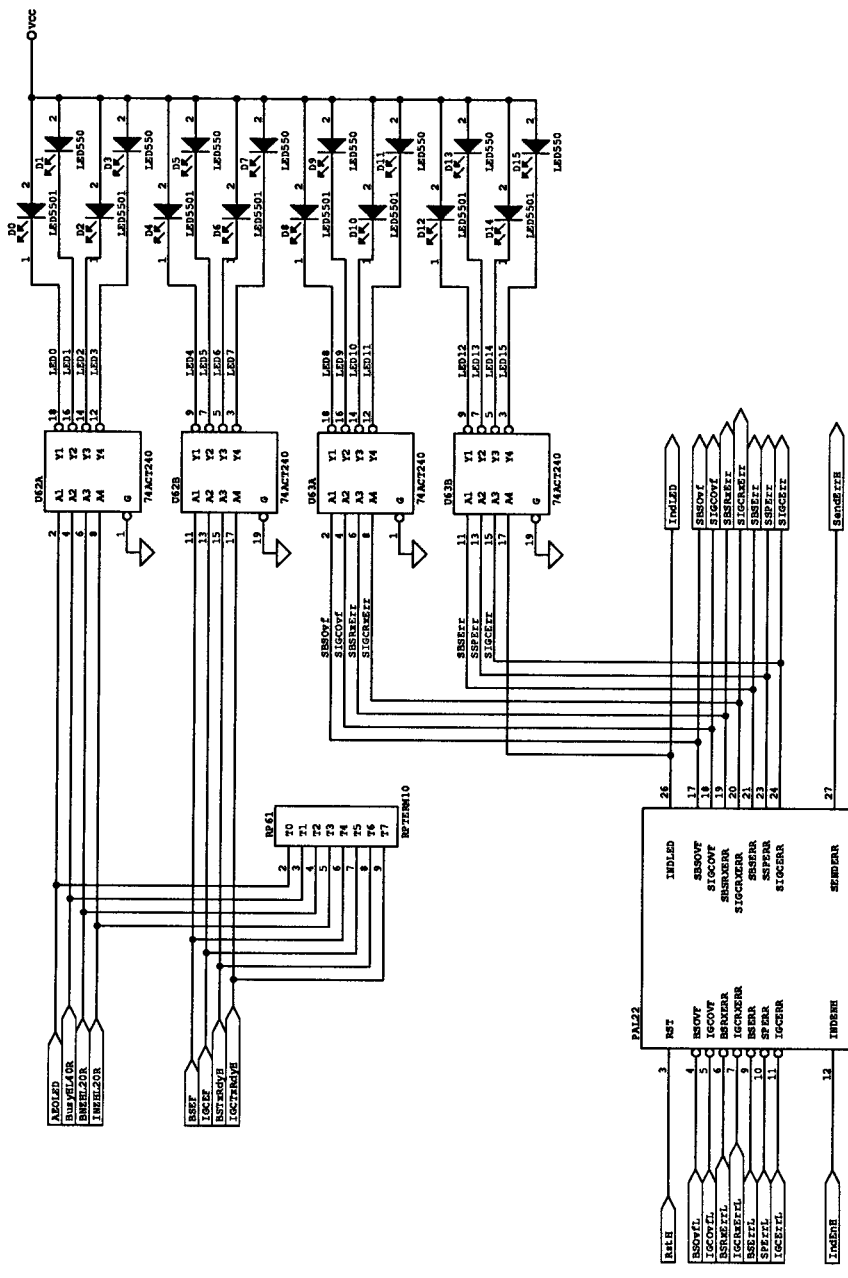


FILE	Exp15 Receiver Board		
Size	16C Port Receive FIFO		
B	Document Number		
Date:	April 3, 1990	Sheet	17 of 23

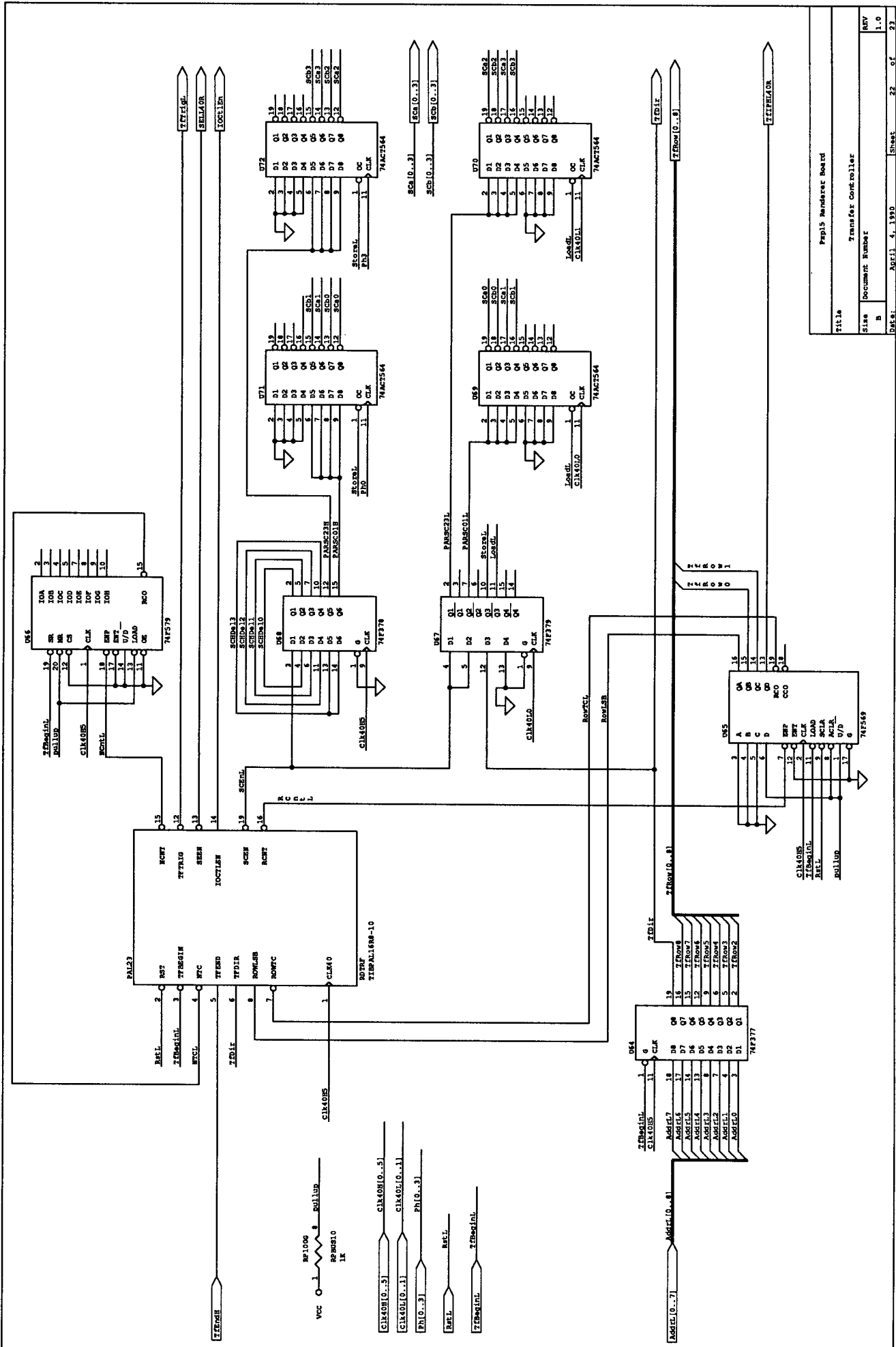
REV	1.0
REV	1.0

APO2AB1(0..15)
 APO2AB0(0..15)
 APO2AB(0..15)
 APO2AB(0..15)

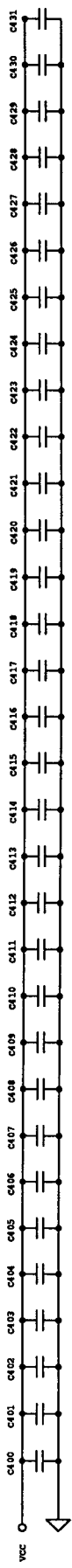




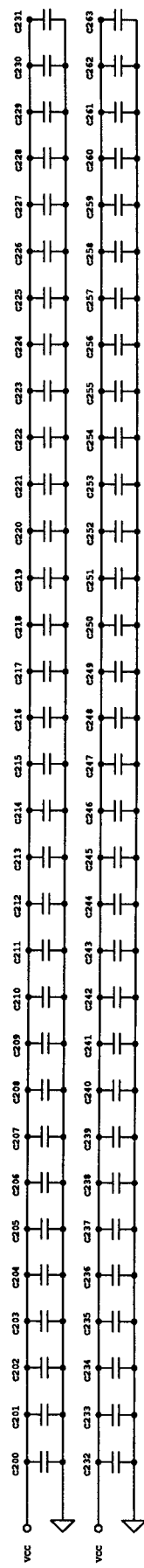
Title		Fppl5 Reader Board	
Site		LEDS and Error PAL	
Docu. Number		B	
Date:		APRIL 3, 1990	
Sheet		21 of 23	
REV		1.0	



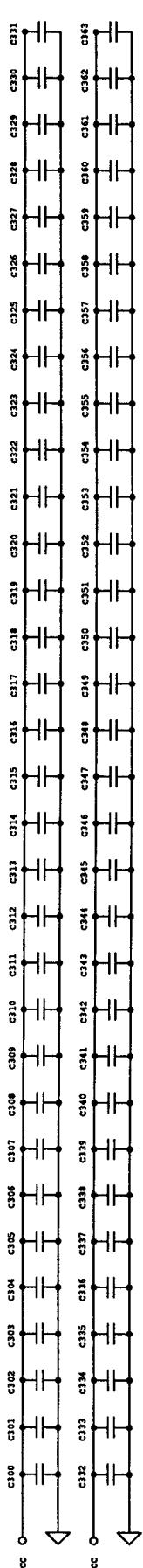
Title	Papi5 Renderar Board
Size	Transfer Controller
REV	Document Number
1.0	B
23	Sheet
of	22
	DATE: APR11 4, 1990



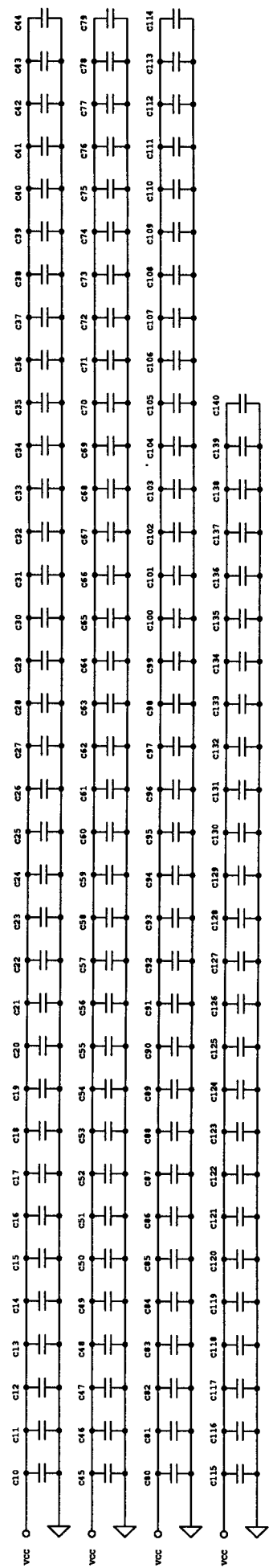
clock caps
for VDDMs



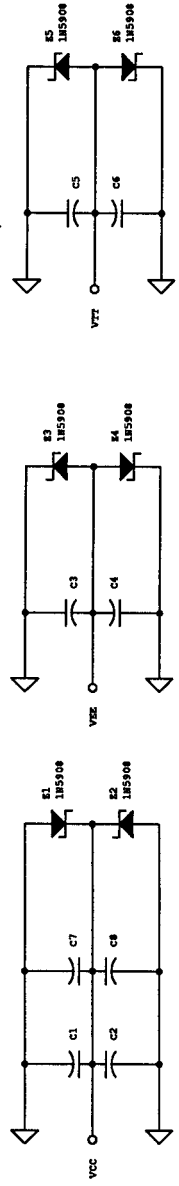
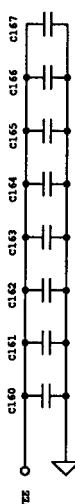
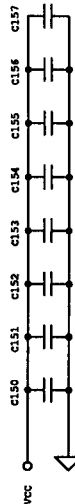
clock caps
for DMs



other caps
for DMs



all capacitors should be oriented
with pin 2 more negative than pin 1
C1 - C9 are tantalum 100 uF
C150 - C157 are 1 uF SMD
all others are 0.1 uF SMD



Title		Popl's Hardware Board
Date		Cap and Genes
Rev		Document Number
Sheet		23 of 23