

- INDUCTANCE TRIMMERS
- A-L101
 - B-L104
 - C-L103
 - D-L102
 - E-L107
 - F-L106
 - G-L105
- CAPACITY TRIMMERS
- H-C106
 - I-C107
 - J-C116
 - K-C115
 - L-C113
 - M-C121
 - N-C124
 - O-C123

NOTE: UNLESS OTHERWISE INDICATED ALL RESISTANCE VALUES ARE IN OHMS, CAPACITANCE VALUES ARE IN MICROMICROFARADS AND INDUCTANCE VALUES ARE IN MICROHENRIES.

ALL TAP SWITCHES ARE SHOWN IN EXTREME COUNTER-CLOCKWISE POSITION.

T.V.I. - 12 yld Ceramic Grid to Ground, 50 v ✓ Screen ✓ ✓, 15 v Coax - Plate ✓ ✓, 1 yld Sprague - A.C. ✓ ✓, .1 v ✓ ✓ ✓ ✓ ✓ ✓, 83-1R Coax - Output.

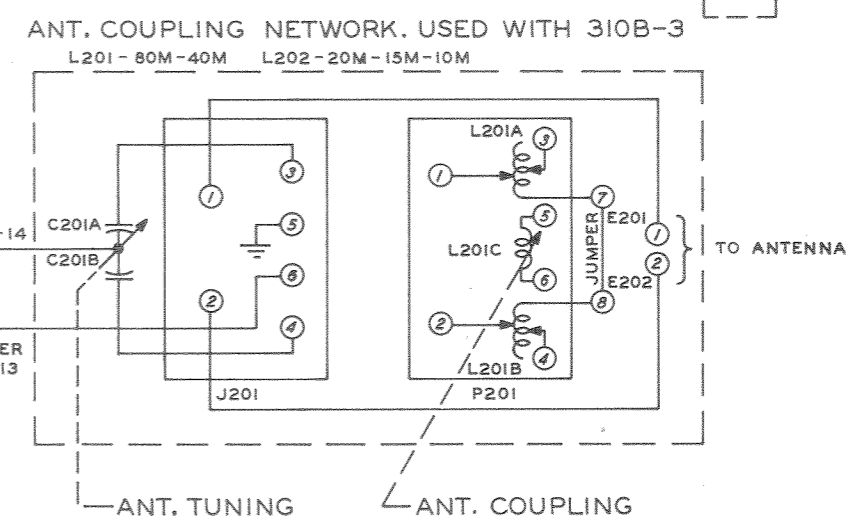
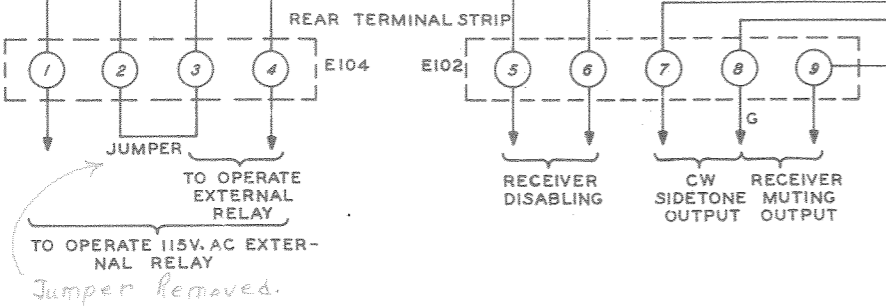
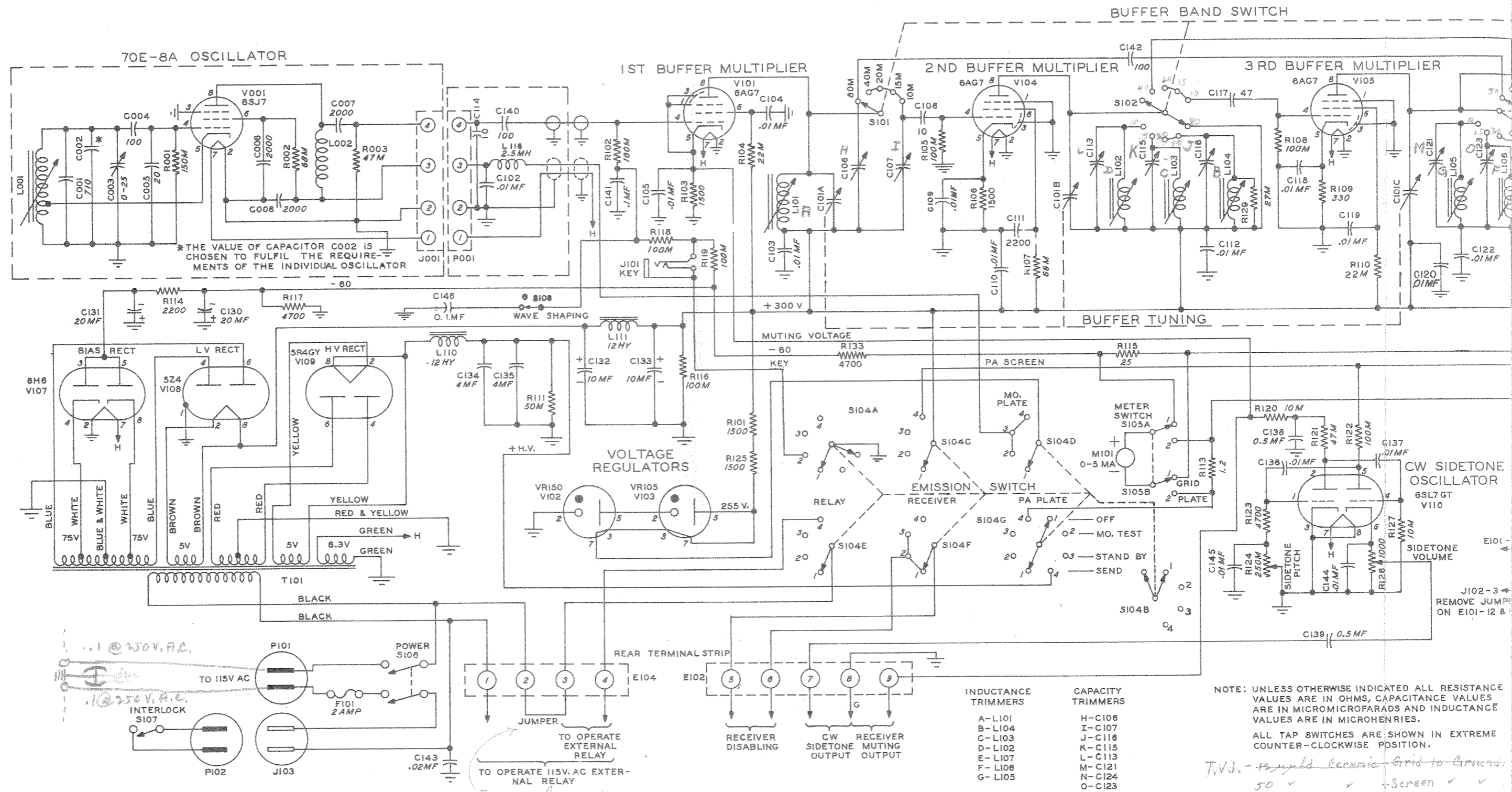


Figure 4-3 310B-1, 3 Schematic Diagram



* THE VALUE OF CAPACITOR C002 IS CHOSEN TO FULFIL THE REQUIREMENTS OF THE INDIVIDUAL OSCILLATOR

- INDUCTANCE TRIMMERS
- A-L101
 - B-L104
 - C-L103
 - D-L102
 - E-L107
 - F-L106
 - G-L105
- CAPACITY TRIMMERS
- H-C106
 - I-C107
 - J-C116
 - K-C115
 - L-C113
 - M-C121
 - N-C124
 - O-C123

NOTE: UNLESS OTHERWISE INDICATED ALL RESISTANCE VALUES ARE IN OHMS, CAPACITANCE VALUES ARE IN MICROMICROFARADS AND INDUCTANCE VALUES ARE IN MICROHENRIES. ALL TAP SWITCHES ARE SHOWN IN EXTREME COUNTER-CLOCKWISE POSITION.

TVI. - 1/2 ufd ceramic Grid to Ground.
50 v ✓ - Screen ✓ ✓
15 v Coax - Plate ✓ ✓
1 ufd Sprague - A.C. ✓ ✓
.1 v ✓ - ✓ ✓ ✓
83-1R Coax - Output.

.1 @ 250V. A.C.
.1 @ 250V. A.C.

TO OPERATE EXTERNAL RELAY
 TO OPERATE 115V. AC EXTERNAL RELAY
Jumper removed.

J102-3 REMOVE JUMPER ON E101-12 & 1