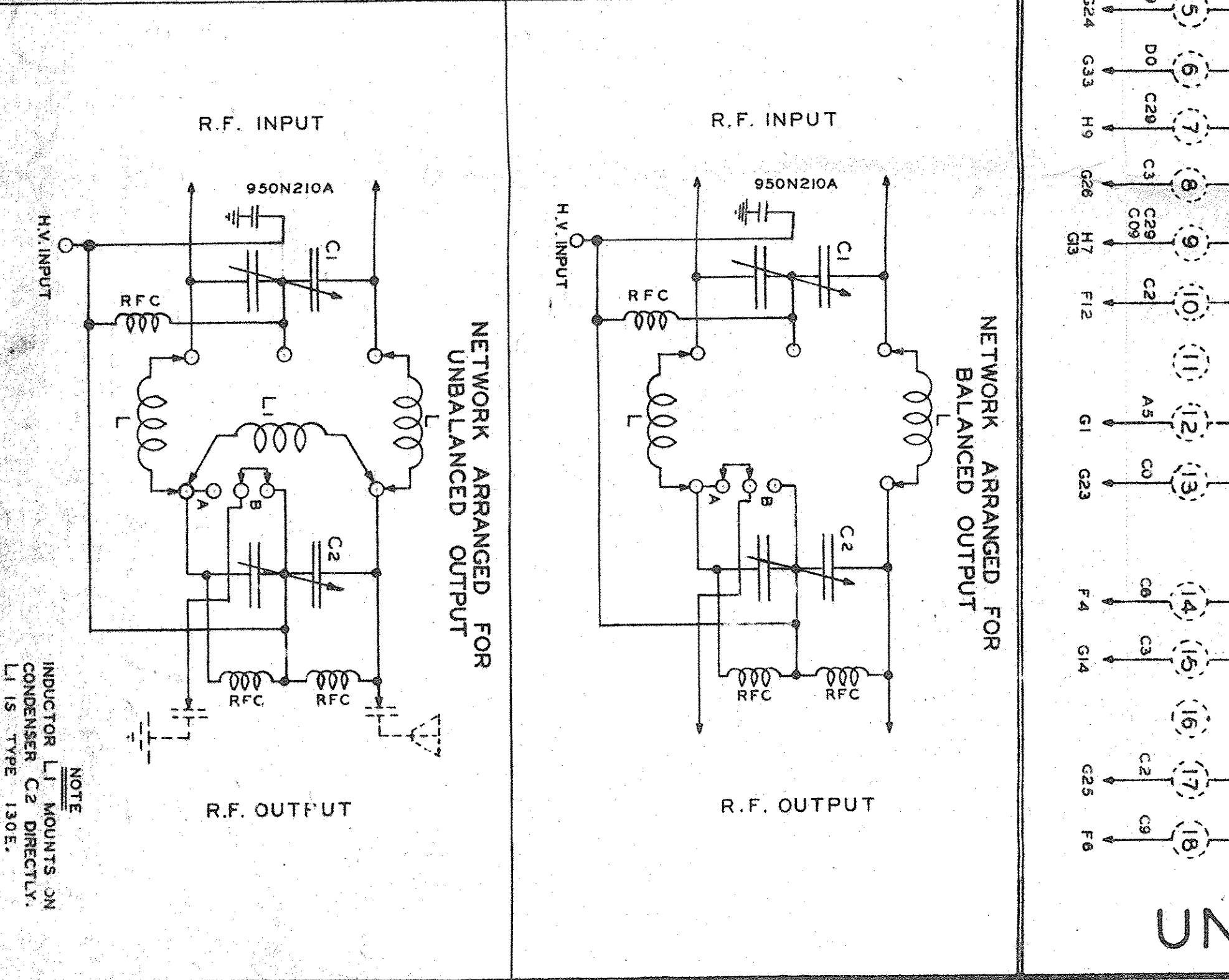
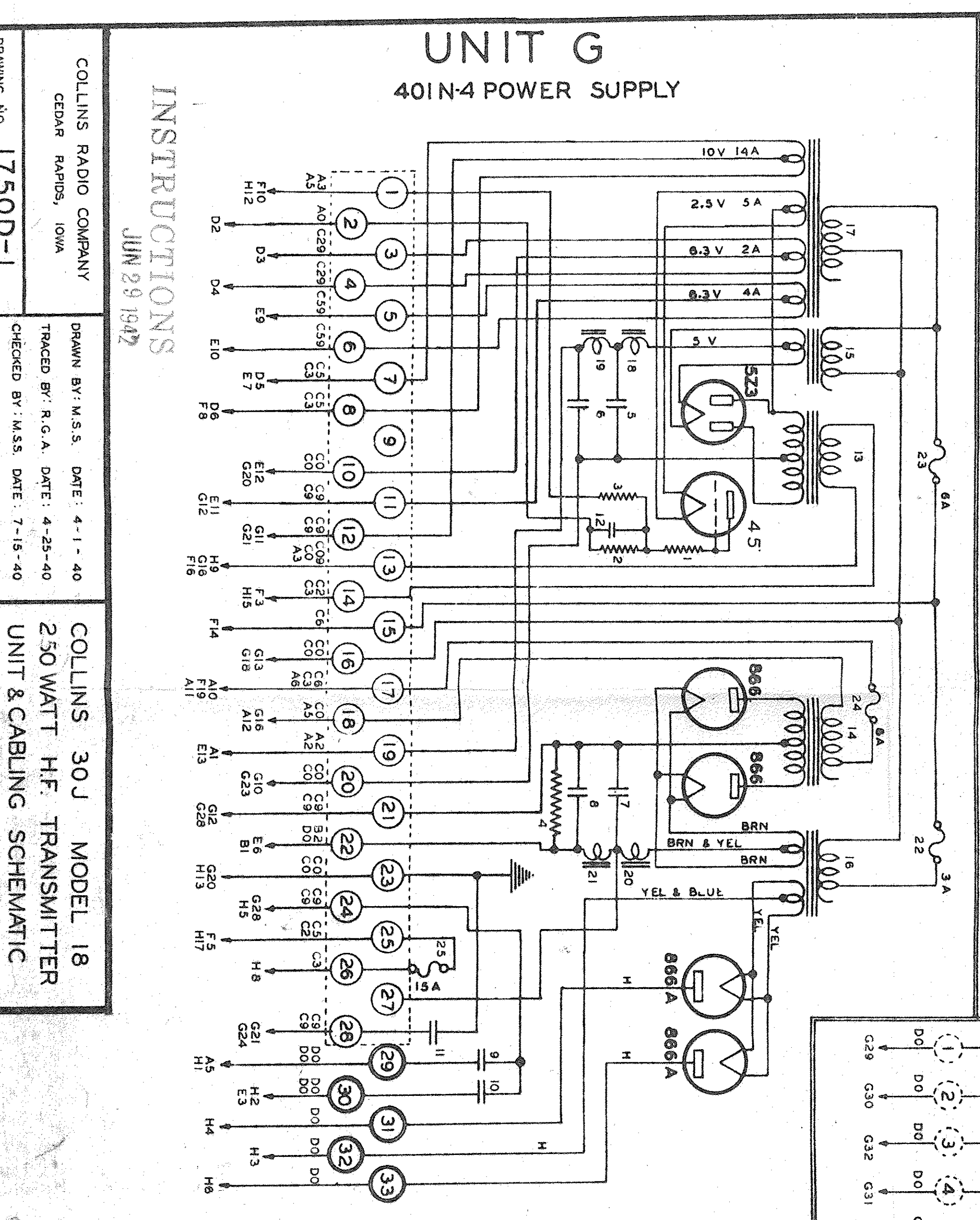
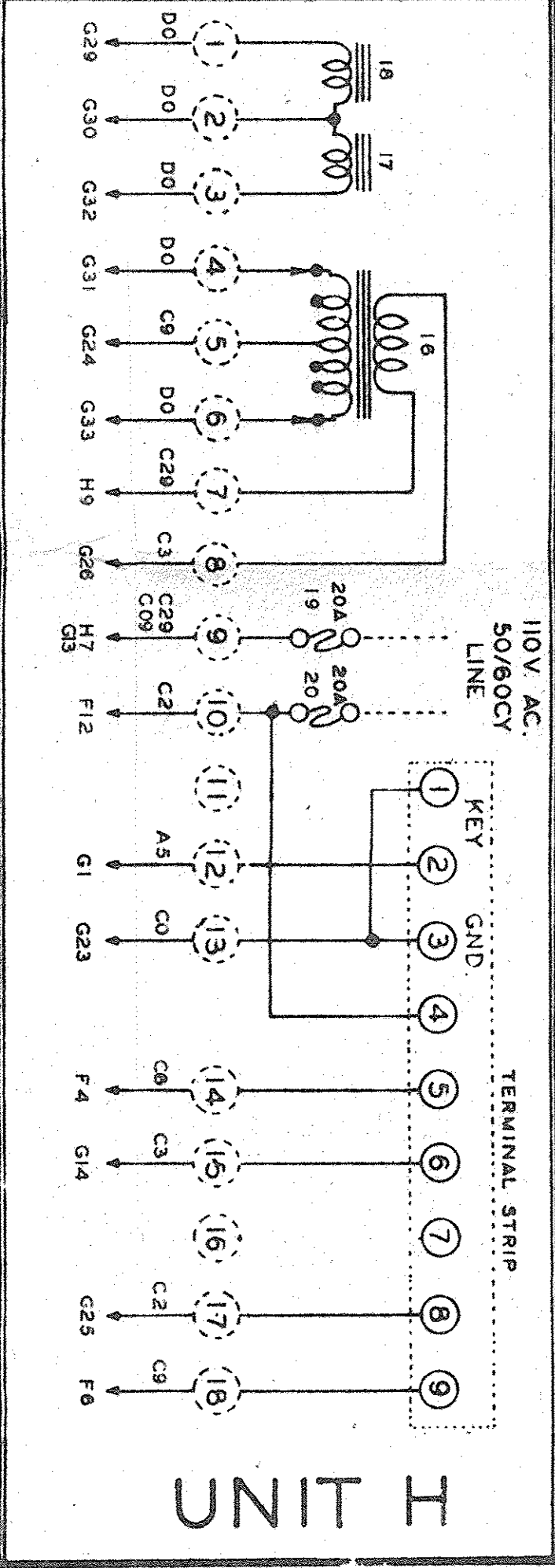
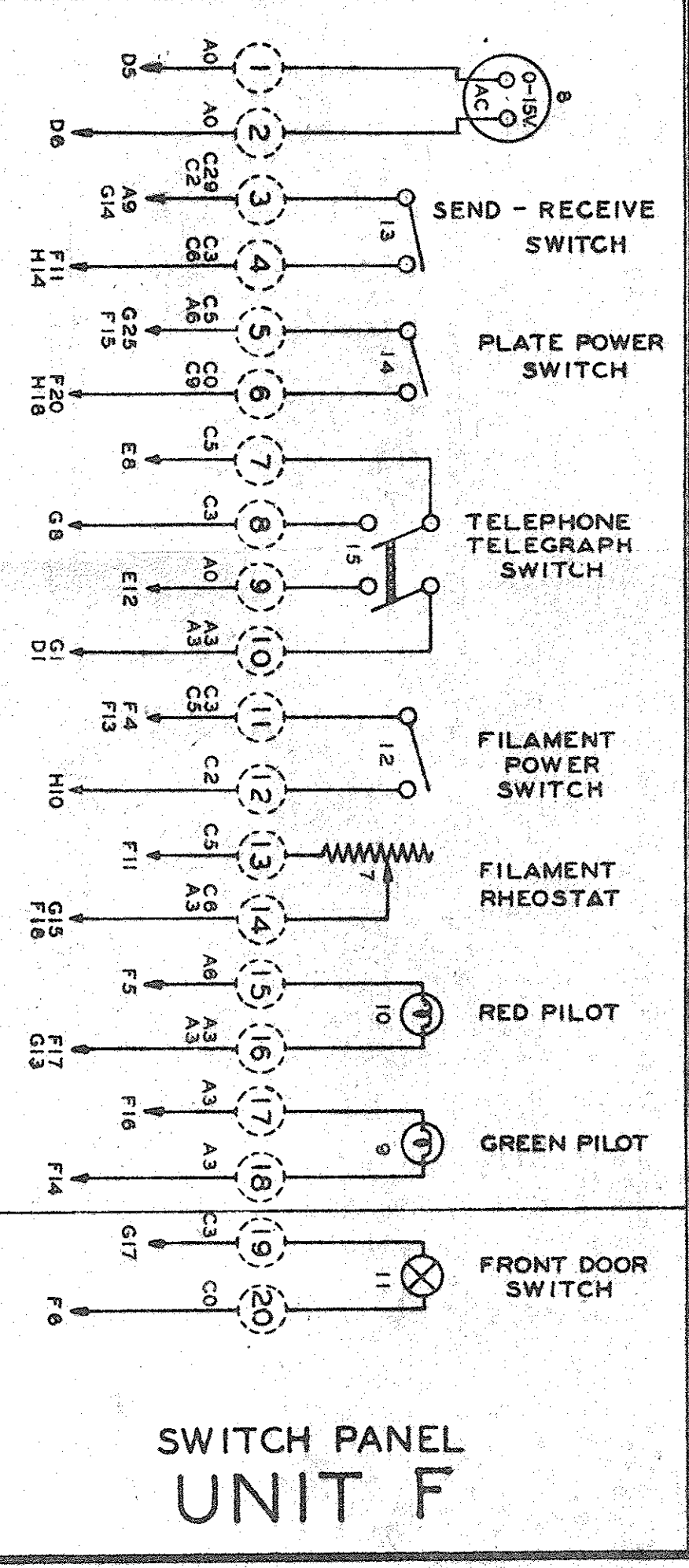
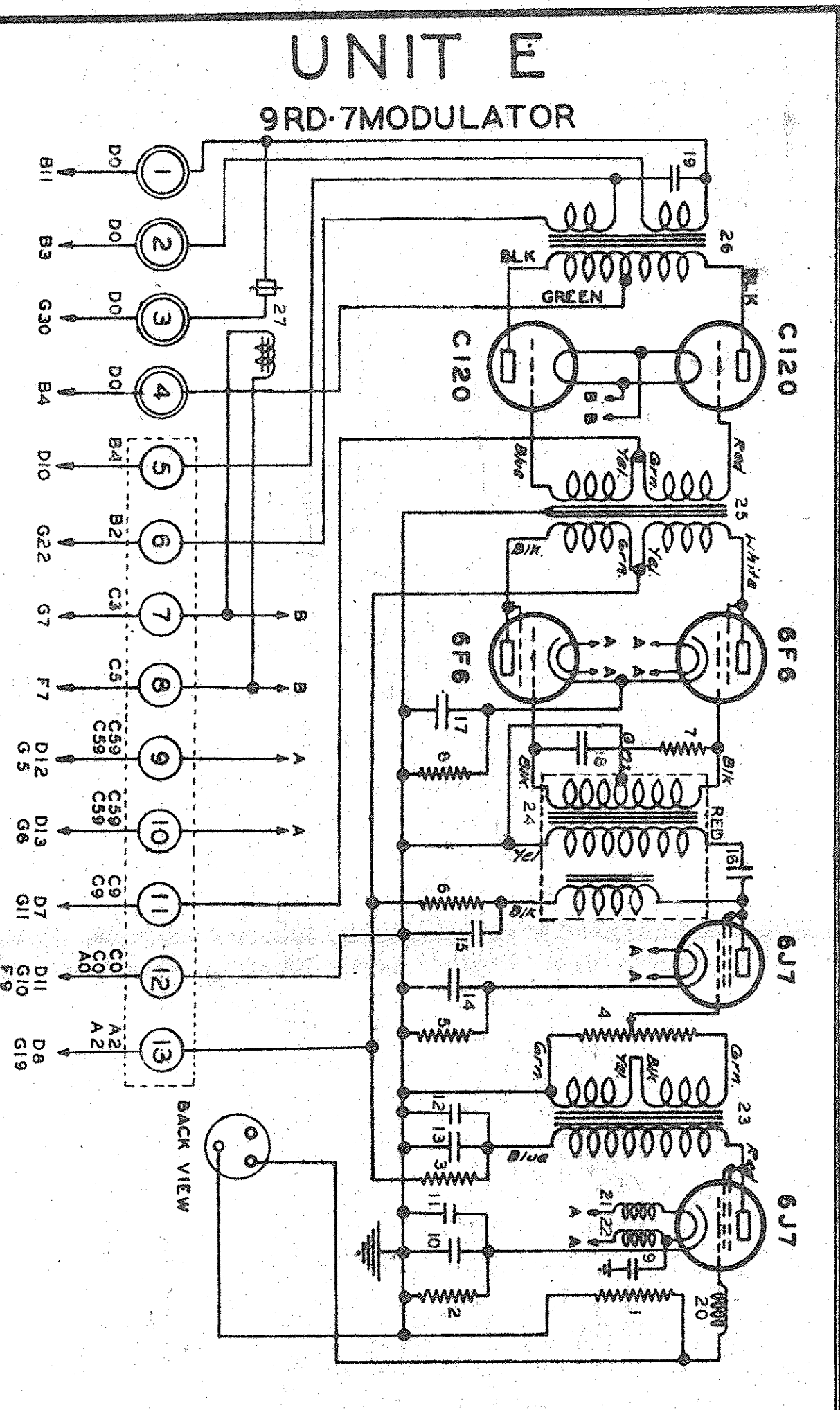


122C-7 UNIT
UNIT C



INSTRUCTIONS
JUN 29 1947

COLLINS RADIO COMPANY
CEDAR RAPIDS, IOWA

DRAWING No. **1750D-1**

DRAWN BY: M.S.S. DATE: 4-1-40
TRACED BY: R.G.A. DATE: 4-25-40
CHECKED BY: M.S.S. DATE: 7-15-40

COLLINS 30J MODEL 18
250 WATT H.F. TRANSMITTER
UNIT & CABLING SCHEMATIC